

RESIDENTIAL LOW PROFILE PANCAKE CHAMBER

22 to 28 dBA Noise Reduction

MD22 OVERVIEW

The MD22 is engineered to provide a residential grade attenuation while minimizing space usage. It is an excellent choice for packaged power and process skids where space is a premium. Dual inlets and other custom designs can be easily incorporated. Suitable for use where background noise is relatively high and constant. The need for higher degrees of silencing should be minimal.

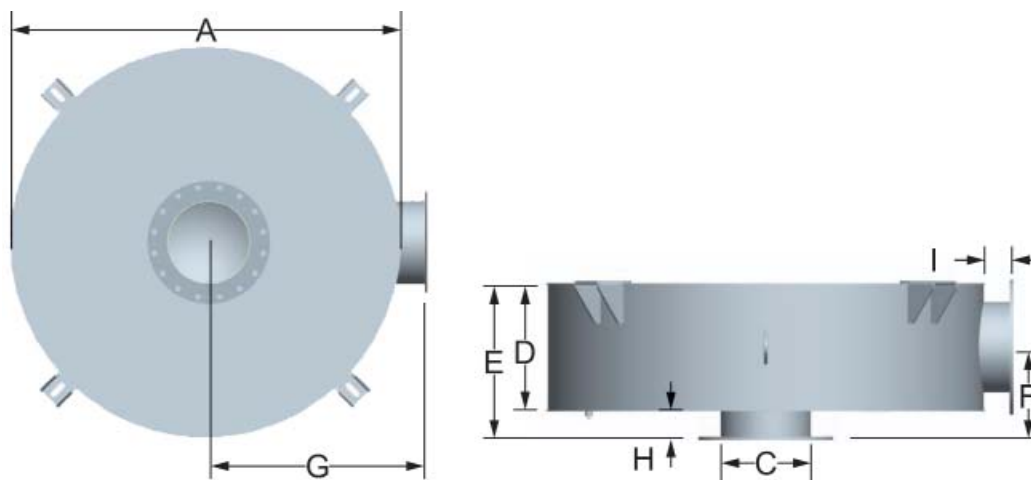
Typical Applications: Internal combustion engines, process skids, genset enclosures, as well as marine engines.

FEATURES

- Heavy duty, welded construction
- Unpacked/Non-insulated design
- ANSI drilled 125/150 lb. flanges on inlet and outlet
- High-temperature, prime coated black finish
- Lift lugs

OPTIONS / ACCESSORIES

- Low surface temperature design
- Stainless steel construction: 304 or 316
- Custom inlet/outlet size, location and multiple orientation types available
- Support brackets
- Special paints and finishes available
- 1" to 2" internal insulation available
- Complete range of exhaust accessories



Silencer shown with optional bottom mounting brackets.

MD22									
Size / ØC	ØA	D	E	F	G	H	I	Est Wt	
4	22	7	11	7.5	15	4	4	103	
5	24	8	12	8	16	4	4	119	
6	28	8.5	12.5	8.25	18	4	4	147	
8	33	13	17	10.5	20.5	4	4	242	
10	41	13	17	10.5	24.5	4	4	329	
12	45	17	21	12.5	26.5	4	4	464	
14	52	18	22	13	30	4	4	539	
16	59	21	25	14.5	33.5	4	4	716	
18	65	23	27	15.5	36.5	4	4	825	

Notes: Dimensions are in inches, weights are in pounds. A minimum 3" gap is recommended between the silencer and enclosure roof.
 Low Profile Orientations Available: Type 1 Side In-End Out, Type 2 Side In-Side Out, Type 3 End In-End Out or Dual in options.



CRITICAL LOW PROFILE PANCAKE CHAMBER

25 to 32 dBA Noise Reduction

MD32 OVERVIEW

The MD32 is engineered to provide a critical grade attenuation while minimizing space usage. It is an excellent choice for packaged power and process skids where space is a premium. Dual inlets and other custom designs can be easily incorporated. Design not only reduces surface temperature, but also radiated noise. Suitable for use where background noise is extremely low, such as residential or hospital locations away from busy streets.

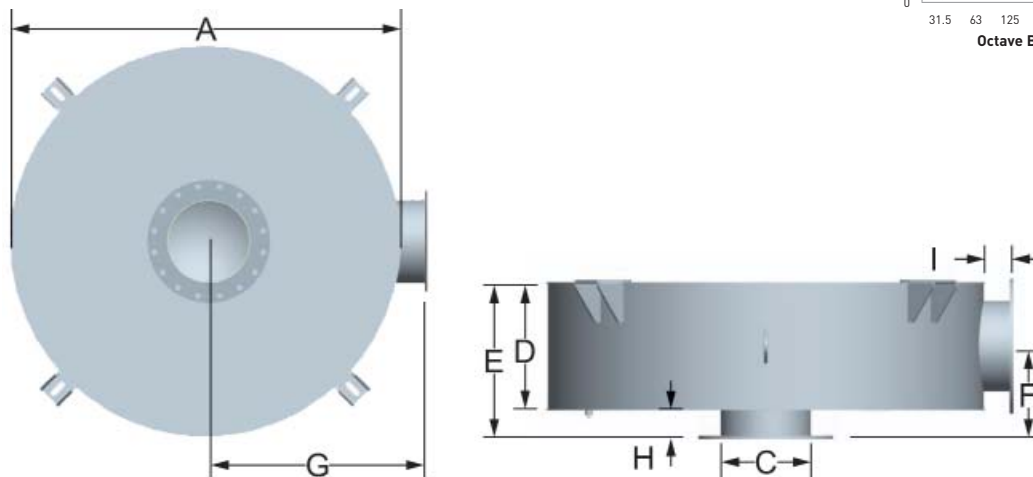
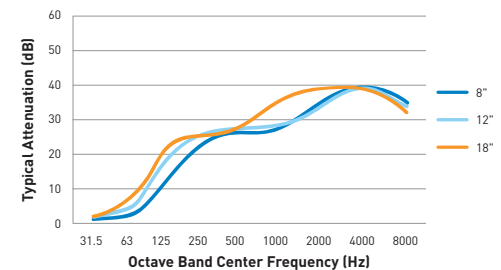
Typical Applications: Internal combustion engines, process skids, genset enclosures, as well as marine engines.

FEATURES

- Heavy duty, welded construction
- Low surface temperature design
- ANSI drilled 125/150 lb. flanges on inlet and outlet
- High-temperature, prime coated black finish
- 2" thick internal insulation within double wall construction
- Lift lugs

OPTIONS / ACCESSORIES

- Stainless steel construction: 304 or 316
- Custom inlet/outlet size, location and multiple orientation types available
- Support brackets
- Special paints and finishes available
- 1" internal insulation available
- Complete range of exhaust accessories



Silencer shown with optional bottom mounting brackets.

MD32									
Size / ØC	ØA	D	E	F	G	H	I	Est Wt	
4	28	9	13	8.5	18	4	4	130	
5	29	11	15	9.5	18.5	4	4	150	
6	33	12	16	10	20.5	4	4	192	
8	45	14	18	11	26.5	4	4	341	
10	52	16	20	12	30	4	4	561	
12	62	18	22	13	35	4	4	816	
14	64	23	28	16.5	37	5	5	950	
16	74	25	30	17.5	42	5	5	1388	
18	84	27	32	18.5	47	5	5	1856	
20	92	28	33	19	51	5	5	2186	

Notes: Dimensions are in inches, weights are in pounds. A minimum 3" gap is recommended between the silencer and enclosure roof.

Low Profile Orientations Available: Type 1 Side In-End Out, Type 2 Side In-Side Out, Type 3 End In-End Out or Dual in options.

SUPER CRITICAL LOW PROFILE PANCAKE CHAMBER

30 to 37 dBA Noise Reduction

MD42 OVERVIEW

The MD42 is engineered to provide a super critical grade attenuation while minimizing space usage. It is an excellent choice for packaged power and process skids where space is a premium. Dual inlets and other custom designs can be easily incorporated. Design not only reduces surface temperature, but also radiated noise. Suitable for use where background noise is extremely low, such as residential or hospital locations away from busy streets.

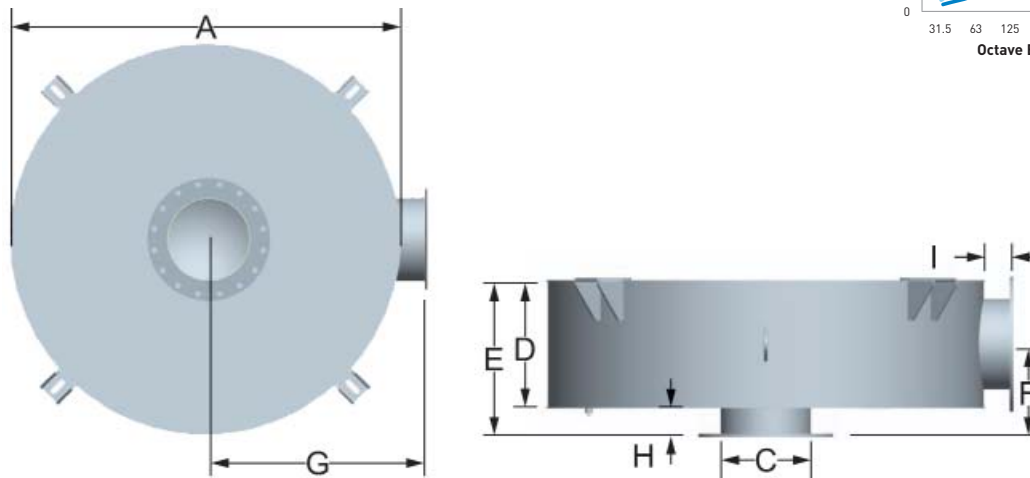
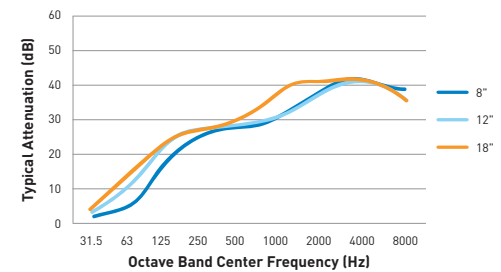
Typical Applications: Internal combustion engines, process skids, genset enclosures, as well as marine engines.

FEATURES

- Heavy duty, welded construction
- Low surface temperature design
- ANSI drilled 125/150 lb. flanges on inlet and outlet
- High-temperature, prime coated black finish
- 2" thick internal insulation within double wall construction
- Lift lugs

OPTIONS / ACCESSORIES

- Stainless steel construction: 304 or 316
- Custom inlet/outlet size, location and multiple orientation types available
- Support brackets
- Special paints and finishes available
- 1" internal insulation available
- Complete range of exhaust accessories



Silencer shown with optional bottom mounting brackets.

MD42									
Size / ØC	ØA	D	E	F	G	H	I	Est Wt	
4	32	10	14	9	20	4	4	165	
5	32	11	15	9.5	20	4	4	174	
6	38	12	16	10	23	4	4	238	
8	52	14	18	11	30	4	4	518	
10	59	16	20	12	33.5	4	4	701	
12	70	18	22	13	39	4	4	984	
14	70	24	29	17	40	5	5	1104	
16	75	28	33	19	42.5	5	5	1518	
18	86	30	35	20	48	5	5	2006	
20	94	32	37	21	52	5	5	2375	

Notes: Dimensions are in inches, weights are in pounds. A minimum 3" gap is recommended between the silencer and enclosure roof. Low Profile Orientations Available: Type 1 Side In-End Out, Type 2 Side In-Side Out, Type 3 End In-End Out or Dual in options.



HOSPITAL LOW PROFILE PANCAKE CHAMBER

35 to 42 dBA Noise Reduction

MD52 OVERVIEW

The MD52 is engineered to provide a hospital grade attenuation while minimizing space usage. It is an excellent choice for packaged power and process skids where space is a premium. Dual inlets and other custom designs can be easily incorporated. Design not only reduces surface temperature, but also radiated noise. Suitable for use where background noise is extremely low, such as residential or hospital locations away from busy streets.

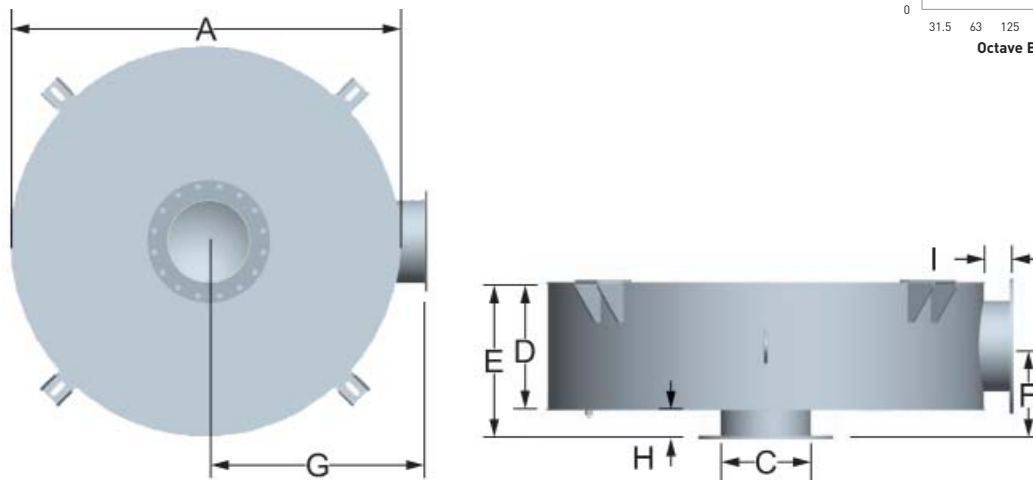
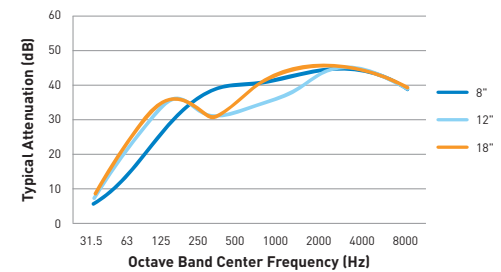
Typical Applications: Internal combustion engines, process skids, genset enclosures, as well as marine engines.

FEATURES

- Heavy duty, welded construction
- Low surface temperature design
- ANSI drilled 125/150 lb. flanges on inlet and outlet
- High-temperature, prime coated black finish
- 2" thick internal insulation within double wall construction
- Lift lugs

OPTIONS / ACCESSORIES

- Stainless steel construction: 304 or 316
- Custom inlet/outlet size, location and multiple orientation types available
- Support brackets
- Special paints and finishes available
- 1" internal insulation available
- Complete range of exhaust accessories



Silencer shown with optional bottom mounting brackets.

MD52									
Size / ØC	ØA	D	E	F	G	H	I	Est Wt	
4	40	12	16	10	24	4	4	259	
5	49	14	18	11	28.5	4	4	413	
6	58	15	19	11.5	33	4	4	653	
8	68	17	21	12.5	38	4	4	906	
10	78	20	24	14	43	4	4	1373	
12	80	23	27	15.5	44	4	4	1544	
14	86	27	32	18.5	48	5	5	1961	
16	100	30	33	20	55	5	5	2598	
18	112	33	38	21.5	61	5	5	3359	
20	120	35	39	22.5	65	5	5	3864	

Notes: Dimensions are in inches, weights are in pounds. A minimum 3" gap is recommended between the silencer and enclosure roof.

Low Profile Orientations Available: Type 1 Side In-End Out, Type 2 Side In-Side Out, Type 3 End In-End Out or Dual in options.