

FULL FLOW INTERNAL CENTER PANEL ABSORPTIVE DESIGN

15 to 30 dBA Noise Reduction

FPS-FPSE OVERVIEW

Designed for a high degree of high frequency noise attenuation. FPS model is for intake service and the FPSE for exhaust service.

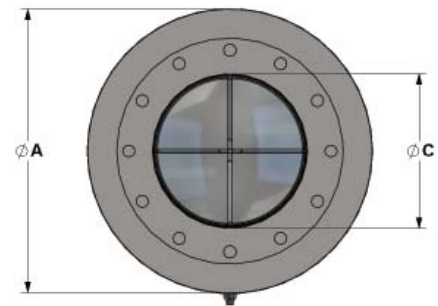
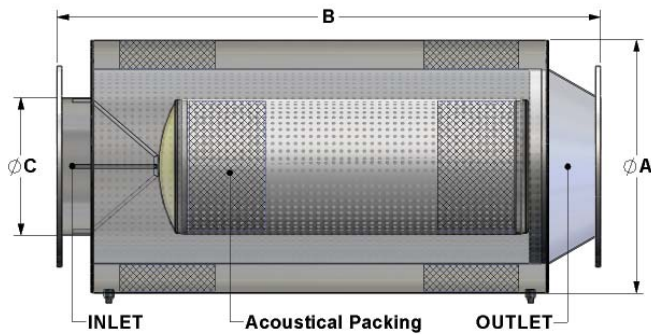
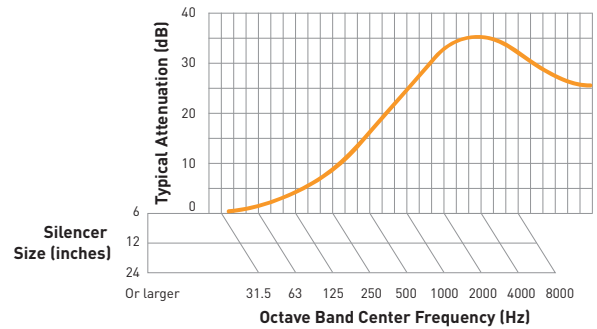
Typical Applications: Internal combustion engine intakes and exhaust, compressor intakes or fan intakes and discharges

FEATURES

- Advanced acoustical design
- Heavy duty, all welded construction and long service life
- Easily installed in any position
- Prime coated exterior finish

OPTIONS / ACCESSORIES

- Horizontal or vertical support arrangements
- Special paint
- Stainless steel construction
- Complete range of exhaust accessories



FPS-FPSE			
Size / ØC	ØA	B	Est Wt
6	14.625	27	75
8	18	35	130
10	20.75	44	190
12	23.375	51	270
14	26.375	57	370
16	29.125	66	490
18	32.125	71	565
20	34.875	83	820
22	37.75	89	1000
24	40.5	98	1280
26	43.375	106	1530
28	46.25	111	1700
30	49	121	1900

Note: Dimensions are in inches, weights are in pounds.

