

RESIDENTIAL LOW PROFILE PANCAKE CHAMBER

22 to 28 dBA Noise Reduction

MD22 OVERVIEW

The MD22 is engineered to provide a residential grade attenuation while minimizing space usage. It is an excellent choice for packaged power and process skids where space is a premium. Dual inlets and other custom designs can be easily incorporated. Suitable for use where background noise is relatively high and constant. The need for higher degrees of silencing should be minimal.

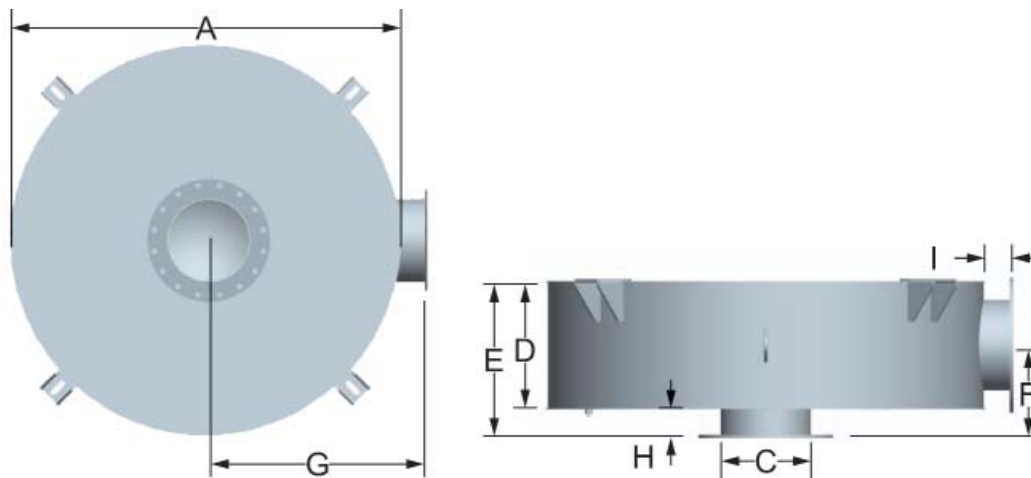
Typical Applications: Internal combustion engines, process skids, genset enclosures, as well as marine engines.

FEATURES

- Heavy duty, welded construction
- Unpacked/Non-insulated design
- ANSI drilled 125/150 lb. flanges on inlet and outlet
- High-temperature, prime coated black finish
- Lift lugs

OPTIONS / ACCESSORIES

- Low surface temperature design
- Stainless steel construction: 304 or 316
- Custom inlet/outlet size, location and multiple orientation types available
- Support brackets
- Special paints and finishes available
- 1" to 2" internal insulation available
- Complete range of exhaust accessories



Silencer shown with optional bottom mounting brackets.

MD22									
Size / ØC	ØA	D	E	F	G	H	I	Est Wt	
4	22	7	11	7.5	15	4	4	103	
5	24	8	12	8	16	4	4	119	
6	28	8.5	12.5	8.25	18	4	4	147	
8	33	13	17	10.5	20.5	4	4	242	
10	41	13	17	10.5	24.5	4	4	329	
12	45	17	21	12.5	26.5	4	4	464	
14	52	18	22	13	30	4	4	539	
16	59	21	25	14.5	33.5	4	4	716	
18	65	23	27	15.5	36.5	4	4	825	

Notes: Dimensions are in inches, weights are in pounds. A minimum 3" gap is recommended between the silencer and enclosure roof.
 Low Profile Orientations Available: Type 1 Side In-End Out, Type 2 Side In-Side Out, Type 3 End In-End Out or Dual in options.

