

CRITICAL LOW PROFILE PANCAKE CHAMBER

25 to 32 dBA Noise Reduction

MD32 OVERVIEW

The MD32 is engineered to provide a critical grade attenuation while minimizing space usage. It is an excellent choice for packaged power and process skids where space is a premium. Dual inlets and other custom designs can be easily incorporated. Design not only reduces surface temperature, but also radiated noise. Suitable for use where background noise is extremely low, such as residential or hospital locations away from busy streets.

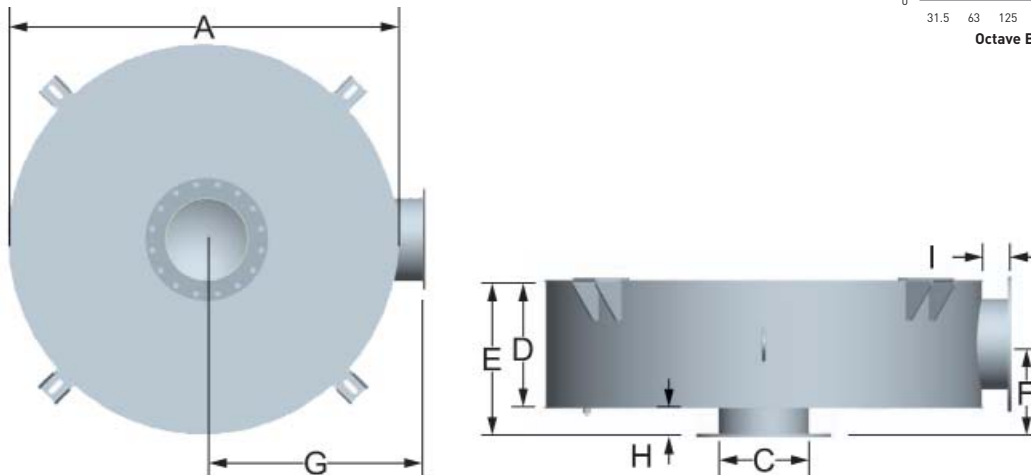
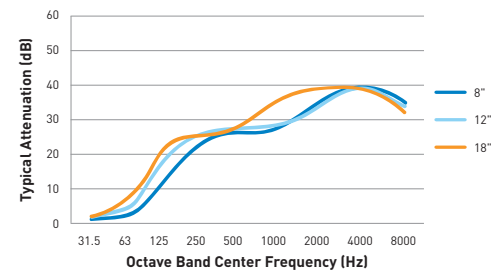
Typical Applications: Internal combustion engines, process skids, genset enclosures, as well as marine engines.

FEATURES

- Heavy duty, welded construction
- Low surface temperature design
- ANSI drilled 125/150 lb. flanges on inlet and outlet
- High-temperature, prime coated black finish
- 2" thick internal insulation within double wall construction
- Lift lugs

OPTIONS / ACCESSORIES

- Stainless steel construction: 304 or 316
- Custom inlet/outlet size, location and multiple orientation types available
- Support brackets
- Special paints and finishes available
- 1" internal insulation available
- Complete range of exhaust accessories



Silencer shown with optional bottom mounting brackets.

MD32									
Size / ØC	ØA	D	E	F	G	H	I	Est Wt	
4	28	9	13	8.5	18	4	4	130	
5	29	11	15	9.5	18.5	4	4	150	
6	33	12	16	10	20.5	4	4	192	
8	45	14	18	11	26.5	4	4	341	
10	52	16	20	12	30	4	4	561	
12	62	18	22	13	35	4	4	816	
14	64	23	28	16.5	37	5	5	950	
16	74	25	30	17.5	42	5	5	1388	
18	84	27	32	18.5	47	5	5	1856	
20	92	28	33	19	51	5	5	2186	

Notes: Dimensions are in inches, weights are in pounds. A minimum 3" gap is recommended between the silencer and enclosure roof. Low Profile Orientations Available: Type 1 Side In-End Out, Type 2 Side In-Side Out, Type 3 End In-End Out or Dual in options.

