

# SUPER CRITICAL LOW PROFILE PANCAKE CHAMBER

## 30 to 37 dBA Noise Reduction

### MD42 OVERVIEW

The MD42 is engineered to provide a super critical grade attenuation while minimizing space usage. It is an excellent choice for packaged power and process skids where space is a premium. Dual inlets and other custom designs can be easily incorporated. Design not only reduces surface temperature, but also radiated noise. Suitable for use where background noise is extremely low, such as residential or hospital locations away from busy streets.

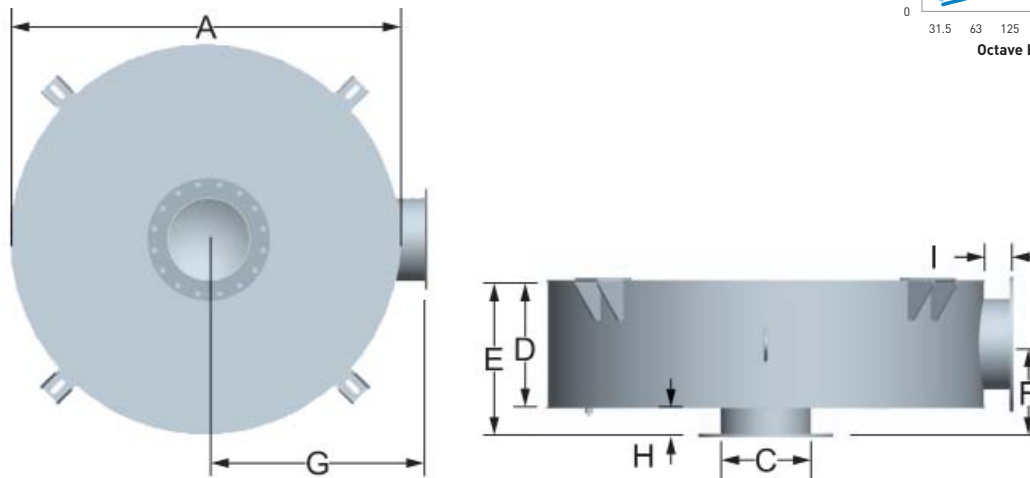
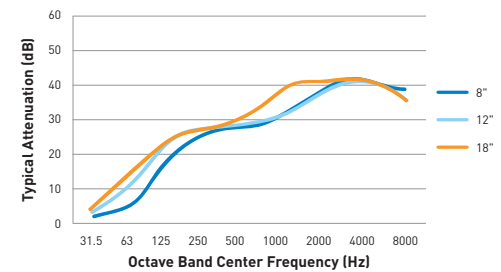
Typical Applications: Internal combustion engines, process skids, genset enclosures, as well as marine engines.

### FEATURES

- Heavy duty, welded construction
- Low surface temperature design
- ANSI drilled 125/150 lb. flanges on inlet and outlet
- High-temperature, prime coated black finish
- 2" thick internal insulation within double wall construction
- Lift lugs

### OPTIONS / ACCESSORIES

- Stainless steel construction: 304 or 316
- Custom inlet/outlet size, location and multiple orientation types available
- Support brackets
- Special paints and finishes available
- 1" internal insulation available
- Complete range of exhaust accessories



Silencer shown with optional bottom mounting brackets.

MD42									
Size / ØC	ØA	D	E	F	G	H	I	Est Wt	
4	32	10	14	9	20	4	4	165	
5	32	11	15	9.5	20	4	4	174	
6	38	12	16	10	23	4	4	238	
8	52	14	18	11	30	4	4	518	
10	59	16	20	12	33.5	4	4	701	
12	70	18	22	13	39	4	4	984	
14	70	24	29	17	40	5	5	1104	
16	75	28	33	19	42.5	5	5	1518	
18	86	30	35	20	48	5	5	2006	
20	94	32	37	21	52	5	5	2375	

Notes: Dimensions are in inches, weights are in pounds. A minimum 3" gap is recommended between the silencer and enclosure roof. Low Profile Orientations Available: Type 1 Side In-End Out, Type 2 Side In-Side Out, Type 3 End In-End Out or Dual in options.

