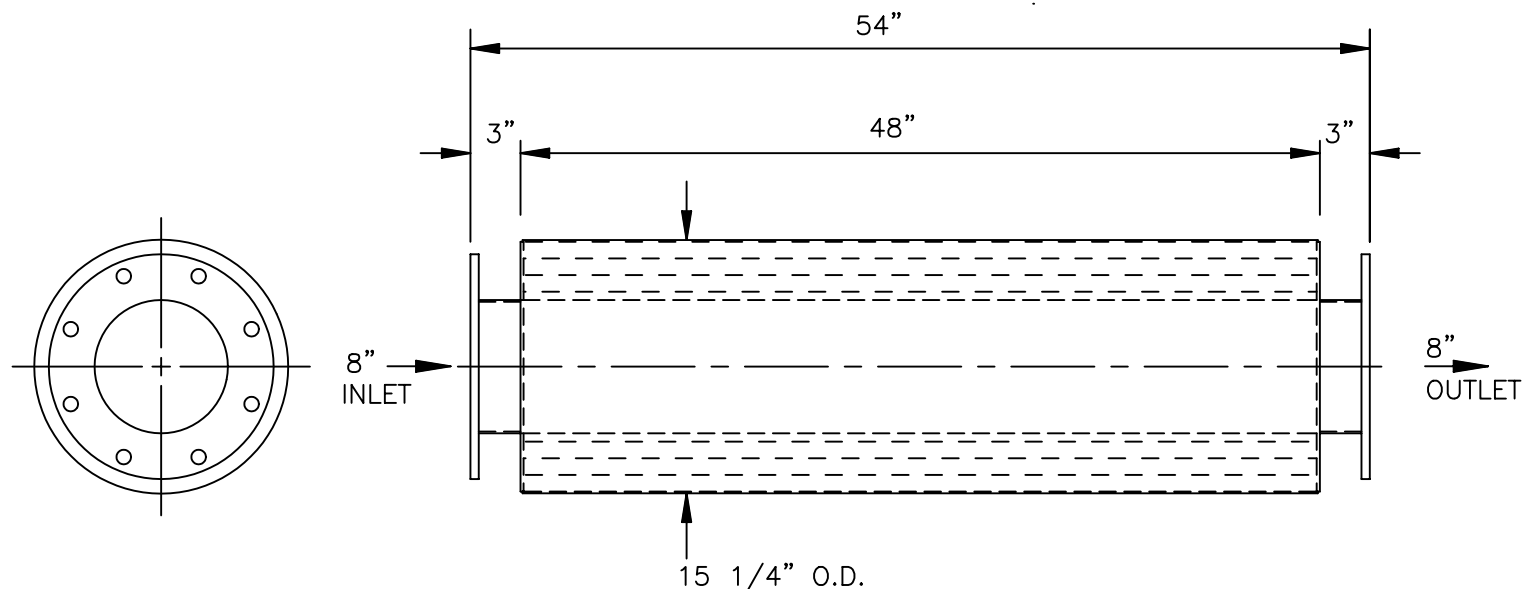


8" INLET AND OUTLET FLANGES:
 1/2" PLATE TO MATCH 8" 150# ANSI
 13 1/2" O.D.
 (8) 7/8" Ø HOLES ON 11 3/4" B.C.
 STRADDLE C.L.



SERVICE: VENT SILENCER FOR STEAM

ATTENUATION: 30 dBA TYPICAL ON STEAM VENTS

MATERIALS OF CONSTRUCTION :

SHELL: 12 GA CARBON STEEL
 PERFO: 14 GA CARBON STEEL
 PACKING: 8 LB/CU.FT.FIBERGLASS MAT

EXTERNAL PAINT: BLACK, HIGH TEMPERATURE

WEIGHT: 160 LBS.

CERTIFICATION

CUSTOMER: _____

CUSTOMER P.O. NO.: _____

DATE: _____ BY: _____

MAXIM SILENCERS

10635 BRIGHTON LANE
 STAFFORD, TX. 77477
 PHONE (832) 554-0980
 FAX (832) 554-0990

8" FPE STEAM VENT SILENCER

DRAWN	TJW	8/24/05	ORDER NO.	DRAWING NO.	REV
-------	-----	---------	-----------	-------------	-----

CHECKED				8FPE_08-24-05	
---------	--	--	--	---------------	--

No.	REVISIONS	APPR.	APPROVED	TJW	8/24/05	SHEET	Sheet 1 of 1
-----	-----------	-------	----------	-----	---------	-------	--------------