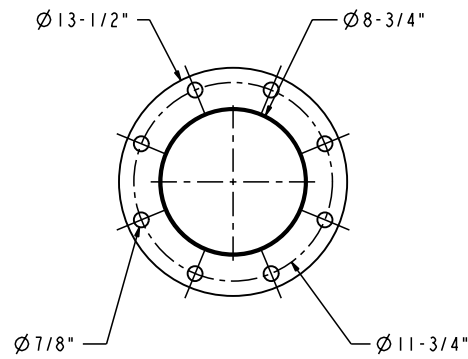
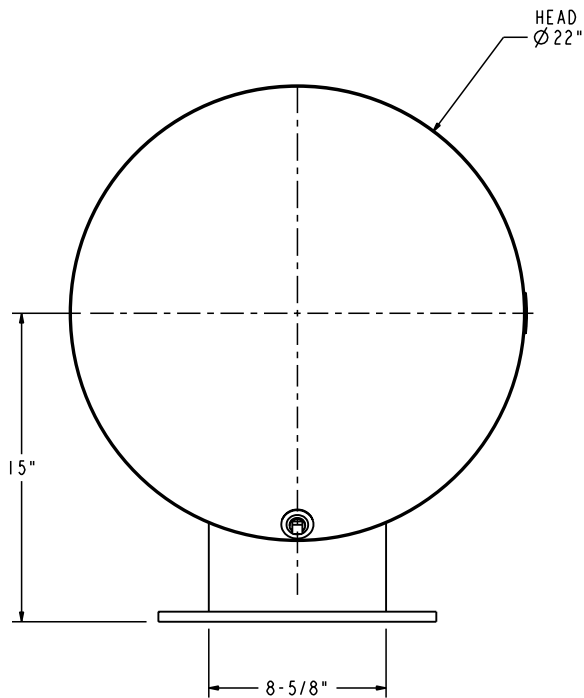
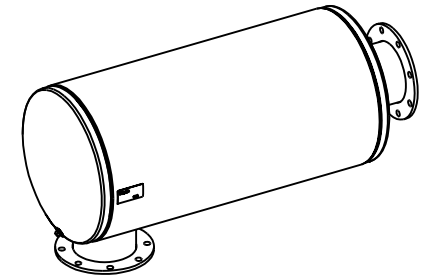


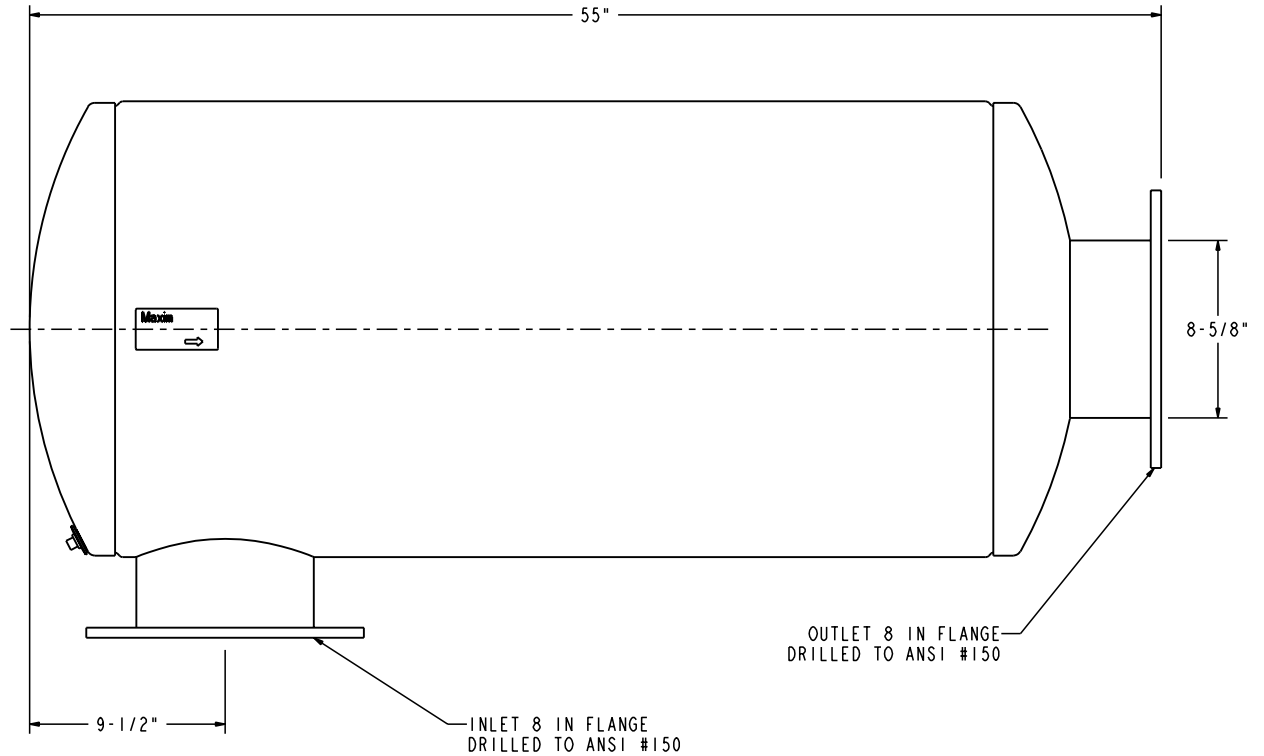
INLET



OUTLET



VIEW FROM INLET END



OUTLET 8 IN FLANGE
DRILLED TO ANSI #150

INLET 8 IN FLANGE
DRILLED TO ANSI #150

NOTES:

1. MATERIAL CARBON STEEL.
2. SILENCER IS DESIGNED TO SUPPORT OWN WEIGHT ONLY.
3. STANDARD MAXIM CONSTRUCTION TOLERANCE APPLY ($\pm 1/4"$).
4. ALL WELDED CONSTRUCTION.
5. DRAWING SUBJECT TO CHANGE WITHOUT NOTICE.

| | | | | | |
|---|-------------------------------|-------------------|-------------------------|--|------------------|
| ALL DIMENSIONS IN INCHES UNLESS OTHERWISE SPECIFIED. TOLERANCES APPLY ON CRITICAL DIMENSIONS AS SHOWN BELOW: $\pm 1/8"$ IMP FRACTION; ± 0.125 IMP DEC ± 3.175 MM METRIC; $\pm 2^\circ$ ANGULAR | DRAWING TYPE: SALES | | | Maxim Silencers, Inc. 10635 Brighton Lane Stafford, TX 77477 PH (832) 554-0980 FX (832) 554-0990 www.Maximsilencers.com | |
| | DRAWN BY: TF | DATE: 07/28/09 | | TITLE: SILENCER RESIDENTIAL GRADE 8 M22 C S1 | |
| THE INFORMATION HEREIN IS THE PROPERTY OF MAXIM SILENCERS INC. TRANSMITTAL TO OTHERS OR USE EXCEPT THAT FOR WHICH IT IS PROVIDED IS STRICTLY PROHIBITED. DO NOT SCALE DRAWING. | APPROVED BY: | DATE: | DRAWING NO.: | REV: | |
| | DIM HOLD - CRITICAL DIMENSION | REF #: 1 | EST. WEIGHT: 171 LBS | M22-8C2 | 00 |
| THIRD ANGLE PROJECTION | ORDER: | SHIP DATE: | PROJECT/WORK ORDER NO.: | EXTERNAL FINISH: HT BLACK PAINT | SHEET: 1 OF 1 |