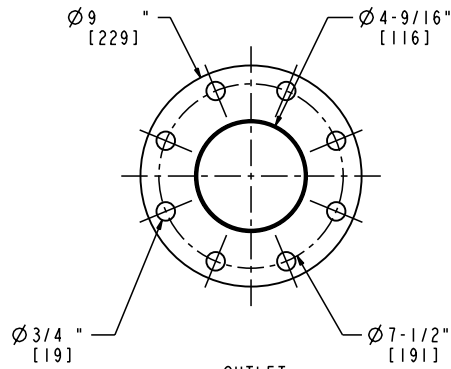
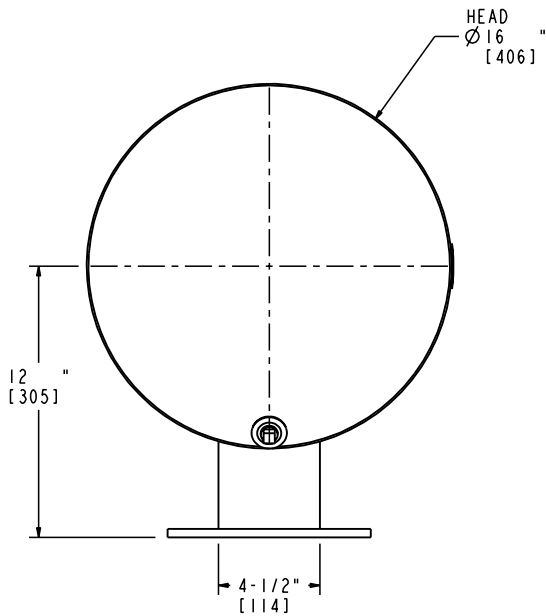
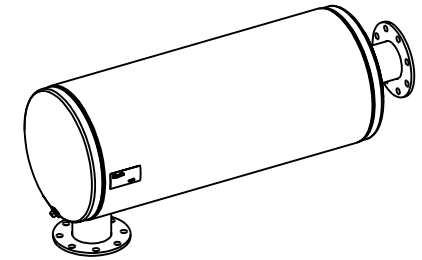


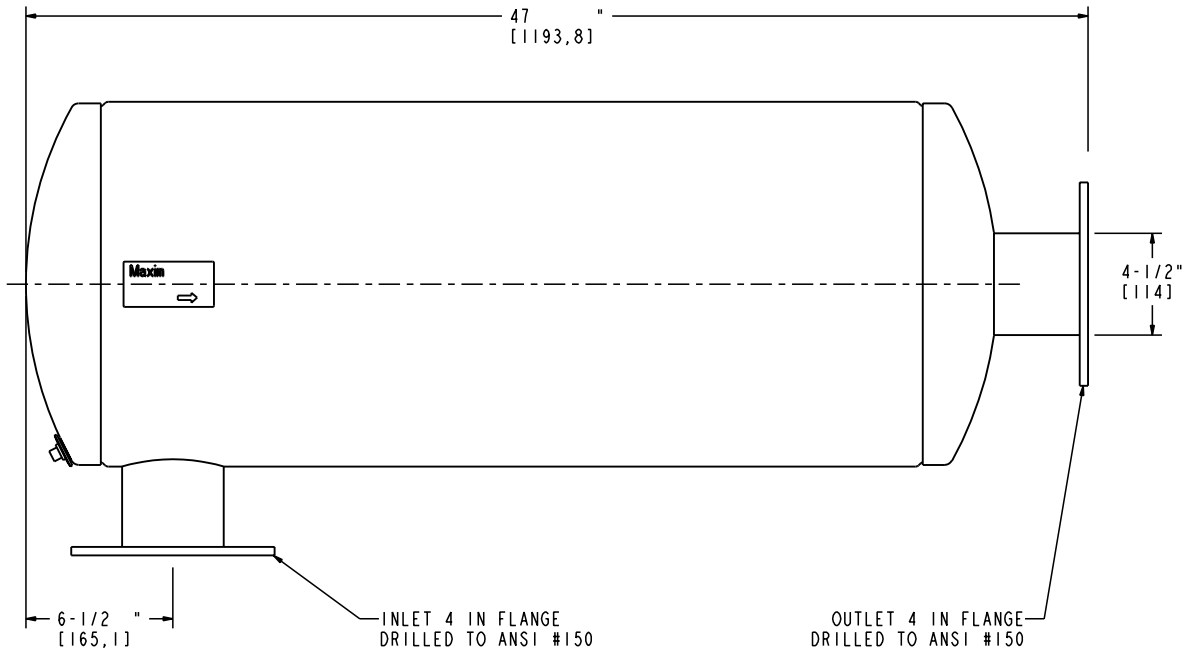
INLET



OUTLET



VIEW FROM INLET END



NOTES:

1. MATERIAL CARBON STEEL.
2. SILENCER IS DESIGNED TO SUPPORT OWN WEIGHT ONLY.
3. STANDARD MAXIM CONSTRUCTION TOLERANCE APPLY ( $\pm 1/4$ ”).
4. ALL WELDED CONSTRUCTION.
5. DRAWING SUBJECT TO CHANGE WITHOUT NOTICE.

|  |                        |                        |                             |  |         |
|--|------------------------|------------------------|-----------------------------|--|---------|
| ALL DIMENSIONS IN INCHES UNLESS OTHERWISE SPECIFIED.<br>TOLERANCES APPLY ON CRITICAL DIMENSIONS AS SHOWN BELOW:<br>$\pm 1/8$ " IMP FRAC; $\pm 0.125$ IMP DEC<br>$\pm 3.175$ MM METRIC; $\pm 2^\circ$ ANGULAR | DRAWING TYPE:<br>SALES |                        |                             | Maxim Silencers, Inc.<br>10639 Brighton Lane<br>Stafford, TX 77477<br>PH (832) 554-0980<br>FX (832) 554-0990<br>www.Maximsilencers.com |         |
|  | DRAWN BY:<br>TF        | DATE:<br>09/15/09      |                             | TITLE: SILENCER SUPER CRITICAL GRADE<br>4 M42 C S1   |         |
| <b>[DIM]</b> HOLD - CRITICAL DIMENSION   | APPROVED BY:           | DATE:                  | DRAWING NO.: <b>M42-4C2</b> |  |         |
| THE INFORMATION HEREIN IS THE PROPERTY OF MAXIM SILENCERS INC. TRANSMITTAL TO OTHERS OR USE EXCEPT THAT FOR WHICH IT IS PROVIDED IS STRICTLY PROHIBITED. DO NOT SCALE DRAWING.                               | REF #:<br>1            | EST. WEIGHT:<br>90 LBS | PROJECT/SALES ORDER NO.:    | EXTERNAL FINISH:<br><b>HT BLACK PAINT</b>  | REV: 00 |
| THIRD ANGLE PROJECTION   | ORDER:                 | SHIP DATE:             | SHEET: 1 OF 1               |  |         |