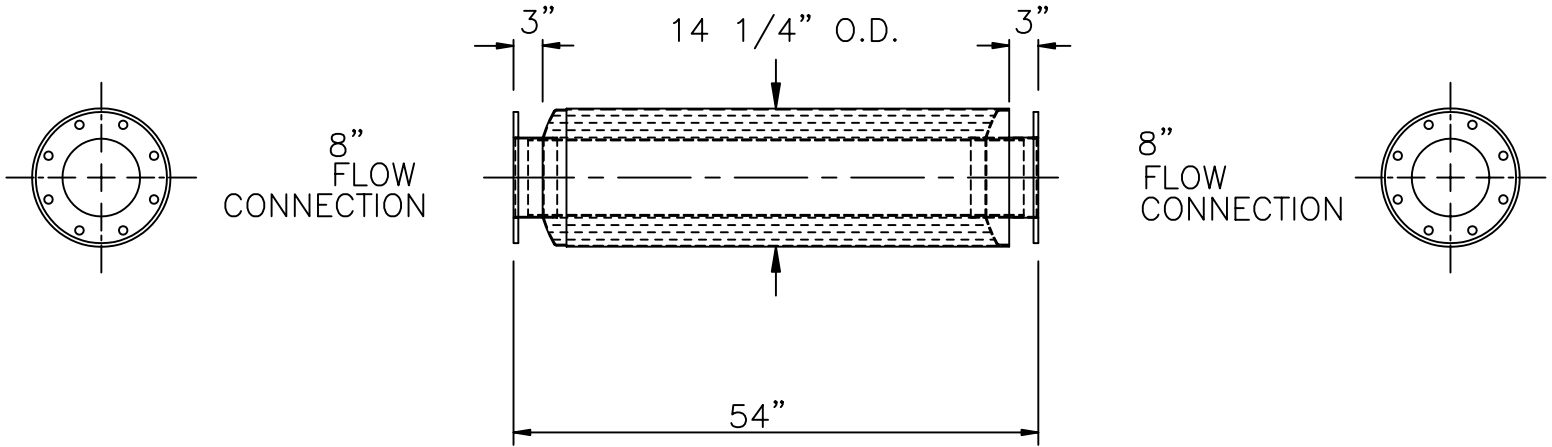


8" INLET AND OUTLET FLANGES  
 1/2" 304 SS PLATE, 13 1/2" O.D.  
 (8) 7/8" DIA. HOLES  
 ON 11 3/4" B.C.  
 STRADDLE C.L.

NOTE: FLOW MAY BE IN EITHER DIRECTION  
 WITH PRESSURE DROP AND NOISE  
 ATTENUATION BEING THE SAME.



SERVICE: INLINE SILENCER FOR BLOWER OR COMPRESSOR  
 (OPERATING PRESSURE < 15 PSIG)

OCTAVE BAND	31	63	125	250	500	1K	2K	4K	8K
INSERTION LOSS	0	2	5	17	30	32	30	27	24

SILENCER PRESSURE DROP:  $(0.3) \times (\text{Velocity Head In } 8" \text{ I.D. Duct})$

MATERIALS OF CONSTRUCTION: CARBON STEEL

- SHELL: 12 GAGE CS
- HEADS : 12 GA CS
- PERFO: 12 GA CS
- PACKING: POLYESTER WOOL

EXTERNAL PAINT: HIGH TEMPERATURE BLACK

WEIGHT: 200 LBS.

CERTIFICATION

CUSTOMER: \_\_\_\_\_

CUSTOMER P.O. NO.: \_\_\_\_\_

DATE: \_\_\_\_\_ BY: \_\_\_\_\_

MAXIM SILENCERS

10635 BRIGHTON LANE  
 STAFFORD, TX 77477  
 PHONE (832) 554-0980  
 FAX (832) 554-0990

8" MB11 INLINE BLOWER SILENCER

DRAWN	TJW	9/27/01	ORDER NO.	DRAWING NO.	REV
-------	-----	---------	-----------	-------------	-----

CHECKED				8MB11_STD	
---------	--	--	--	-----------	--

No.	REVISIONS	APPR.	APPROVED
-----	-----------	-------	----------