

10" OUTLET FLANGE
DRILLED TO ANSI 150#

Ø 14-1/4"

Ø 10-15/16"

10-1/2"

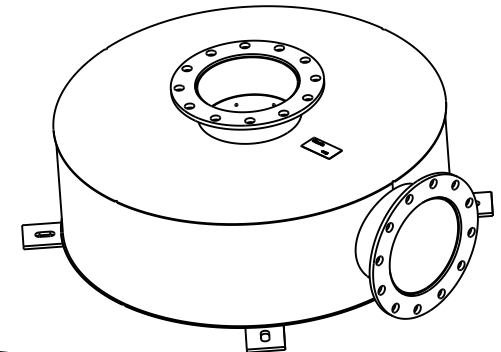
Ø 1"

Ø 16"

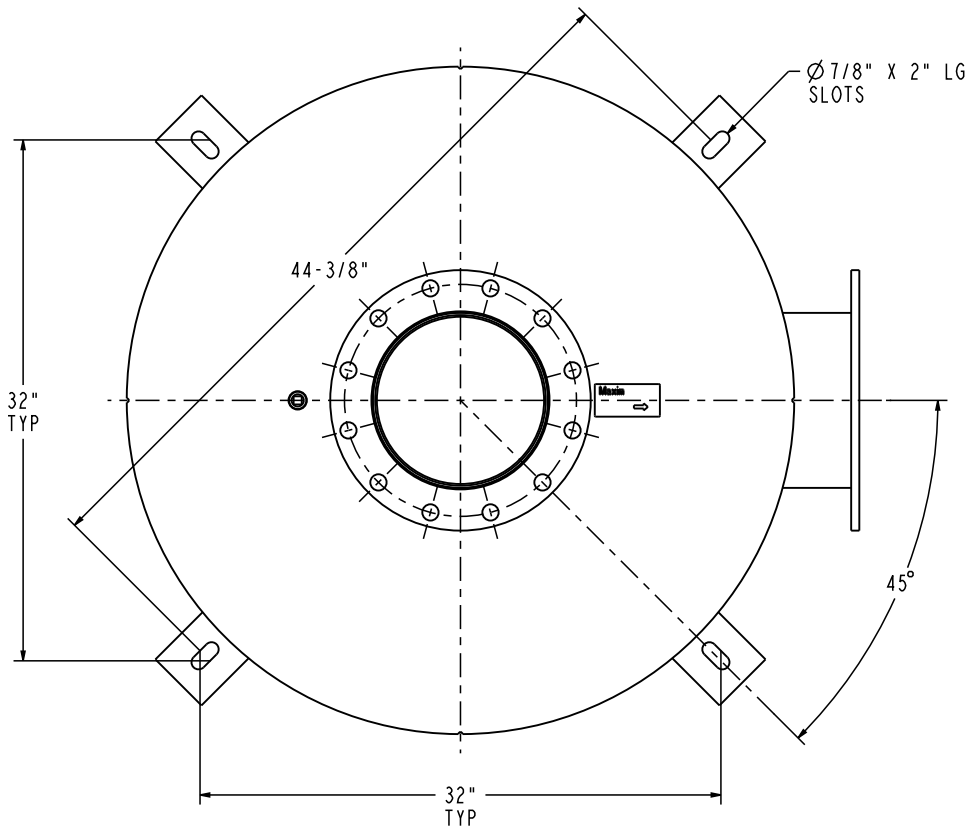
1/2" NOM DIA DRAIN
C/W COUPLING & PLUG

10-3/4"

10" INLET FLANGE
DRILLED TO ANSI 150#



SCALE 0.050



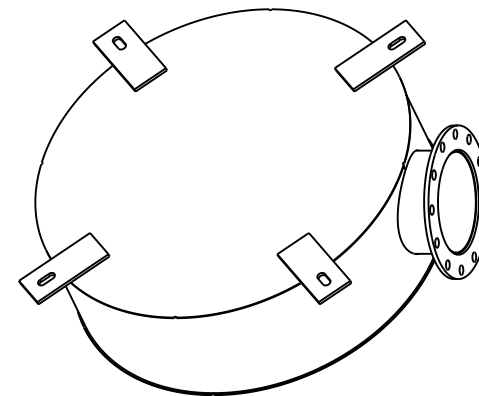
Ø 7/8" X 2" LG
SLOTS

44-3/8"

32" TYP

45°

32" TYP



SCALE 0.050

NOTES:

1. MATERIAL CARBON STEEL.
2. SILENCER IS DESIGNED TO SUPPORT OWN WEIGHT ONLY.
3. STANDARD MAXIM CONSTRUCTION TOLERANCE APPLY ($\pm 1/4"$).
4. ALL WELDED CONSTRUCTION.
5. DRAWING SUBJECT TO CHANGE WITHOUT NOTICE.

REV. NO.	REV. BY	MM/DD/YY	DATE	DESCRIPTION
XX	XX	MM/DD/YY	DATE	XXXXXXXXXXXXXXXX
ALL DIMENSIONS IN INCHES UNLESS OTHERWISE SPECIFIED.				DRAWING TYPE: SALES
TOLERANCES APPLY ON CRITICAL DIMENSION(S) AS SHOWN BELOW: $\pm 1/4"$ IMP FRAC; ± 0.25 IMP DEC ± 0.35 MM METRIC; $\pm 2^\circ$ ANGULAR				DRAWN BY: CM
DIM HOLD - CRITICAL DIMENSION				DATE: 10/4/17
THE INFORMATION HEREIN IS THE PROPERTY OF MAXIM SILENCERS. TRANSMITTAL TO OTHERS OR USE EXCEPT THAT FOR WHICH IT IS PROVIDED IS STRICTLY PROHIBITED. DO NOT SCALE DRAWING.				APPROVED BY: DATE:
REF #: 08		EST. WEIGHT: 329 LBS	MAXIM MODEL NO.: MD22-10C1-ST	DRAWING NO.: STANDARD
THIRD ANGLE PROJECTION		ORDER:	SHIP DATE:	TITLE: HOCKEY PUCK RESIDENTIAL, UNINSULATED
		PROJECT/SALES ORDER NO.:	EXTERNAL FINISH: HT BLACK PAINT	REV: 00
				SHEET: 1 OF 1



10635 Brighton Lane
Stafford, TX 77477
PH (832) 554-0980
FX (832) 554-0990
www.maximsilencers.com