

12" OUTLET FLANGE
DRILLED TO ANSI 150#

Ø 17"

Ø 12-15/16"

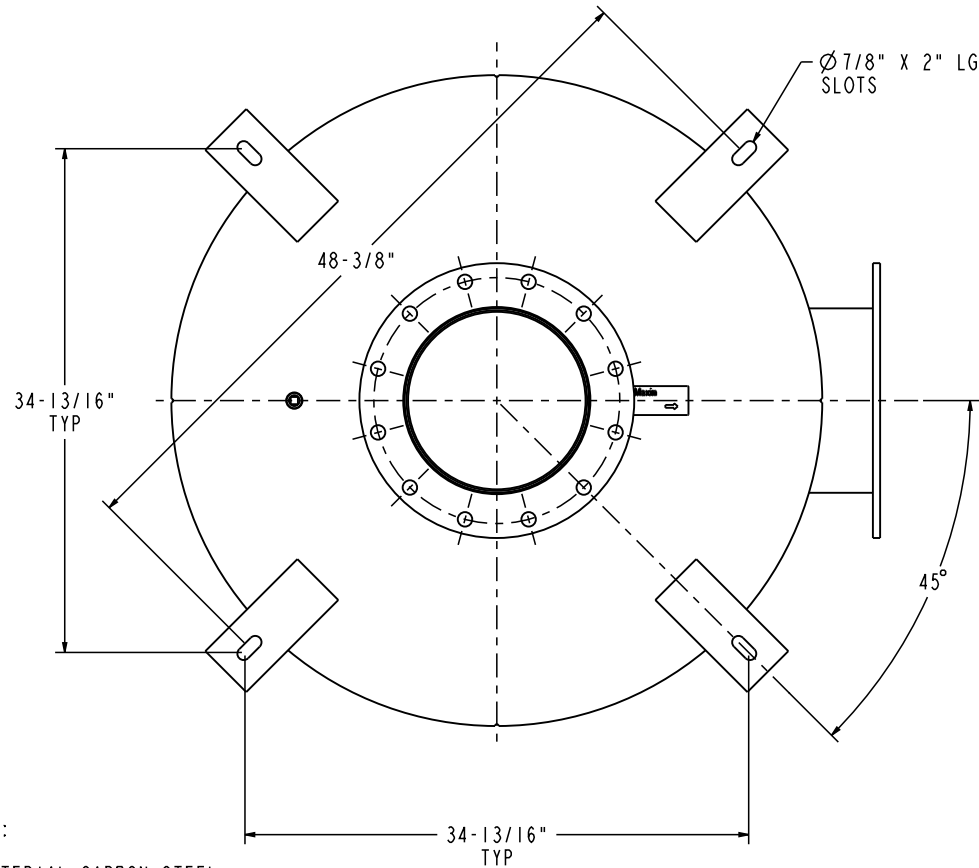
12-1/2"

Ø 1"

Ø 19"

1/2" NOM DIA DRAIN
C/W COUPLING & PLUG

12" INLET FLANGE
DRILLED TO ANSI 150#



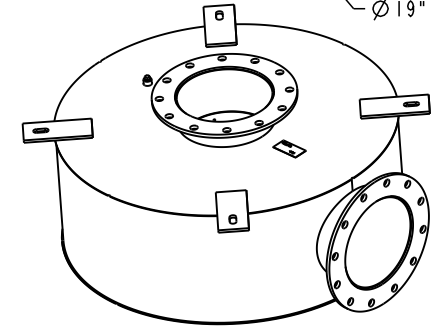
Ø 7/8" X 2" LG
SLOTS

48-3/8"

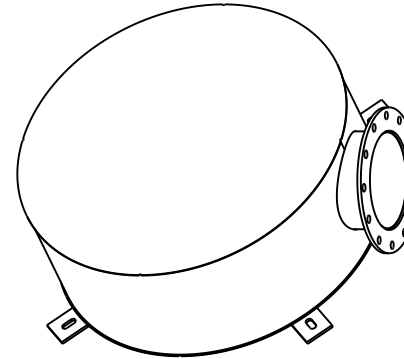
34-13/16"
TYP

45°

34-13/16"
TYP



SCALE 0.040



SCALE 0.040

NOTES:

1. MATERIAL CARBON STEEL.
2. SILENCER IS DESIGNED TO SUPPORT OWN WEIGHT ONLY.
3. STANDARD MAXIM CONSTRUCTION TOLERANCE APPLY ($\pm 1/4"$).
4. ALL WELDED CONSTRUCTION.
5. DRAWING SUBJECT TO CHANGE WITHOUT NOTICE.

REV. NO.	REV. BY	MM/DD/YY	DATE	DESCRIPTION
XX	XX	MM/DD/YY	DATE	XXXXXXXXXXXXXX
ALL DIMENSIONS IN INCHES UNLESS OTHERWISE SPECIFIED. TOLERANCES APPLY ON CRITICAL DIMENSION(S) AS SHOWN BELOW: $\pm 1/4"$ IMP FRAC; ± 0.25 IMP DEC ± 0.35 MM METRIC; $\pm 2^\circ$ ANGULAR				DRAWING TYPE: SALES DRAWN BY: CM DATE: 10/4/17
DIM HOLD - CRITICAL DIMENSION THE INFORMATION HEREIN IS THE PROPERTY OF MAXIM SILENCERS. TRANSMITTAL TO OTHERS OR USE EXCEPT THAT FOR WHICH IT IS PROVIDED IS STRICTLY PROHIBITED. DO NOT SCALE DRAWING.				APPROVED BY: [Signature] DATE: [Date]
THIRD ANGLE PROJECTION				TITLE: HOCKEY PUCK RESIDENTIAL, UNINSULATED
REF #:	EST. WEIGHT:	MAXIM MODEL NO.:	DRAWING NO.:	REV:
08	464 LBS	MD22-12C1-SB	STANDARD	00
ORDER:	SHIP DATE:	PROJECT/SALES ORDER NO.:	EXTERNAL FINISH:	SHEET:
			HT BLACK PAINT	1 OF 1



10635 Brighton Lane
Stafford, TX 77477
PH (832) 554-0980
FX (832) 554-0990
www.maximsilencers.com