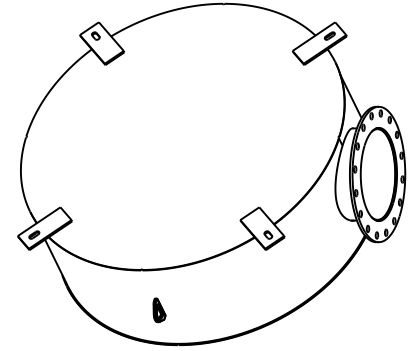


SCALE 0.030



SCALE 0.030

- NOTES:
1. MATERIAL CARBON STEEL.
 2. SILENCER IS DESIGNED TO SUPPORT OWN WEIGHT ONLY.
 3. STANDARD MAXIM CONSTRUCTION TOLERANCE APPLY ($\pm 1/4"$).
 4. ALL WELDED CONSTRUCTION.
 5. DRAWING SUBJECT TO CHANGE WITHOUT NOTICE.

REV. NO.	REV. BY	MM/DD/YY	DATE	DESCRIPTION			
XX	XX	MM/DD/YY	DATE	DESCRIPTION			
ALL DIMENSIONS IN INCHES UNLESS OTHERWISE SPECIFIED. TOLERANCES APPLY ON CRITICAL DIMENSION(S) AS SHOWN BELOW: $\pm 1/4"$ IMP FRAC; ± 0.25 IMP DEC ± 0.35 MM METRIC; $\pm 2^\circ$ ANGULAR				DRAWING TYPE: SALES DRAWN BY: CM DATE: 10/4/17		10635 Brighton Lane Stafford, TX 77477 PH (832) 554-0980 FX (832) 554-0990 www.maximsilencers.com	
DIM HOLD - CRITICAL DIMENSION THE INFORMATION HEREIN IS THE PROPERTY OF MAXIM SILENCERS. TRANSMITTAL TO OTHERS OR USE EXCEPT THAT FOR WHICH IT IS PROVIDED IS STRICTLY PROHIBITED. DO NOT SCALE DRAWING.				APPROVED BY: _____ DATE: _____	TITLE: HOCKEY PUCK RESIDENTIAL, UNINSULATED		
THIRD ANGLE PROJECTION			REF #: 08 ORDER: _____	EST. WEIGHT: 716 LBS SHIP DATE: _____	MAXIM MODEL NO.: MD22-16C1-ST PROJECT/SALES ORDER NO.: _____	DRAWING NO.: STANDARD EXTERNAL FINISH: HT BLACK PAINT	REV: 00 SHEET: 1 OF 1