

1/2" NOM DIA DRAIN
C/W COUPLING & PLUG

4" INLET FLANGE
DRILLED TO ANSI 150#

4" OUTLET FLANGE
DRILLED TO ANSI 150#

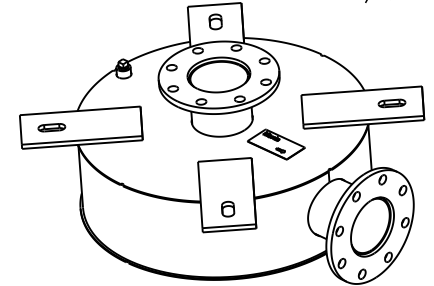
Ø 7-1/2"

Ø 4-11/16"

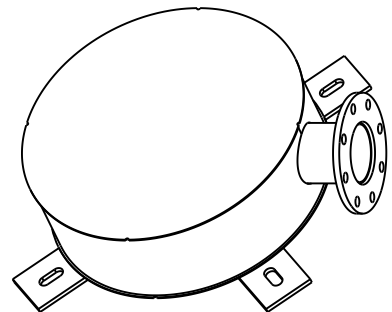
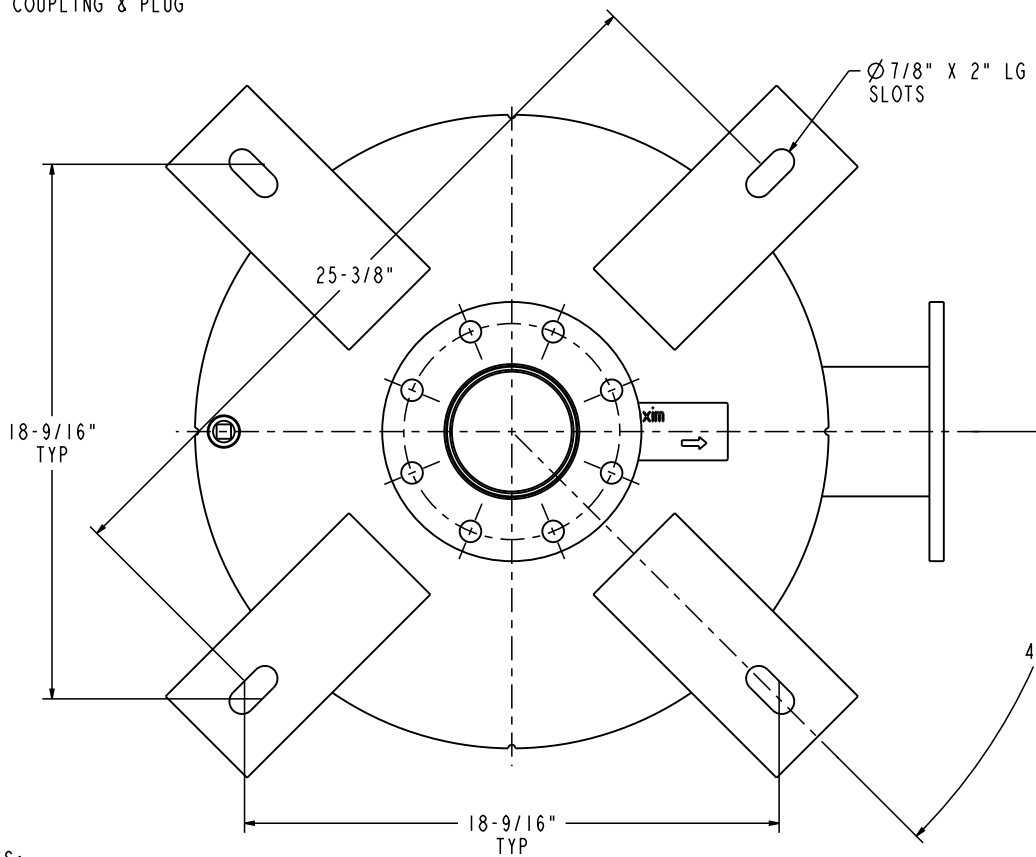
7-1/2"

Ø 3/4"

Ø 9"



SCALE 0.070



SCALE 0.070

NOTES:

1. MATERIAL CARBON STEEL.
2. SILENCER IS DESIGNED TO SUPPORT OWN WEIGHT ONLY.
3. STANDARD MAXIM CONSTRUCTION TOLERANCE APPLY ($\pm 1/4$).
4. ALL WELDED CONSTRUCTION.
5. DRAWING SUBJECT TO CHANGE WITHOUT NOTICE.

REV. NO.	REV. BY	MM/DD/YY	DATE	DESCRIPTION
XX	XX	MM/DD/YY	DATE	XXXXXXXXXXXXXX
ALL DIMENSIONS IN INCHES UNLESS OTHERWISE SPECIFIED.				DRAWING TYPE: SALES
TOLERANCES APPLY ON CRITICAL DIMENSION(S) AS SHOWN BELOW: $\pm 1/4$ " IMP FRAC; ± 0.25 IMP DEC ± 0.35 MM METRIC; $\pm 2^\circ$ ANGULAR				DRAWN BY: CM
				DATE: 10/4/17
[DIM] HOLD - CRITICAL DIMENSION				APPROVED BY:
THE INFORMATION HEREIN IS THE PROPERTY OF MAXIM SILENCERS. TRANSMITTAL TO OTHERS OR USE EXCEPT THAT FOR WHICH IT IS PROVIDED IS STRICTLY PROHIBITED. DO NOT SCALE DRAWING.				DATE:
REF #: 08		EST. WEIGHT: 103 LBS		TITLE: HOCKEY PUCK RESIDENTIAL, UNINSULATED
THIRD ANGLE PROJECTION		ORDER:	SHIP DATE:	MAXIM MODEL NO.: MD22-4C1-SB
				DRAWING NO.: STANDARD
				REV: 00
				SHEET: 1 OF 1
				EXTERNAL FINISH: HT BLACK PAINT



10635 Brighton Lane
Stafford, TX, 77477
PH (832) 554-0980
FX (832) 554-0990
www.maximsilencers.com