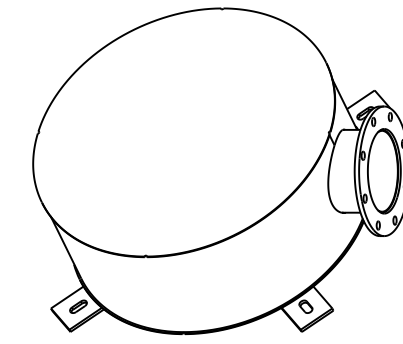


SCALE 0.050



SCALE 0.050

- NOTES:
1. MATERIAL CARBON STEEL.
 2. SILENCER IS DESIGNED TO SUPPORT OWN WEIGHT ONLY.
 3. STANDARD MAXIM CONSTRUCTION TOLERANCE APPLY ($\pm 1/4"$).
 4. ALL WELDED CONSTRUCTION.
 5. DRAWING SUBJECT TO CHANGE WITHOUT NOTICE.

REV. NO.	REV. BY	MM/DD/YY	DATE	DESCRIPTION
XX	XX	MM/DD/YY	DATE	XXXXXXXXXXXXXX
ALL DIMENSIONS IN INCHES UNLESS OTHERWISE SPECIFIED.				DRAWING TYPE: SALES
TOLERANCES APPLY ON CRITICAL DIMENSION(S) AS SHOWN BELOW: $\pm 1/4"$ IMP FRAC; ± 0.25 IMP DEC ± 0.35 MM METRIC; $\pm 2^\circ$ ANGULAR				DRAWN BY: CM DATE: 10/4/17
DIM HOLD - CRITICAL DIMENSION				APPROVED BY: DATE:
THE INFORMATION HEREIN IS THE PROPERTY OF MAXIM SILENCERS. TRANSMITTAL TO OTHERS OR USE EXCEPT THAT FOR WHICH IT IS PROVIDED IS STRICTLY PROHIBITED. DO NOT SCALE DRAWING.				REF #: 08 EST. WEIGHT: 242 LBS MAXIM MODEL NO.: MD22-8C1-SB DRAWING NO.: STANDARD REV: 00
THIRD ANGLE PROJECTION				ORDER: SHIP DATE: PROJECT/SALES ORDER NO. EXTERNAL FINISH: HT BLACK PAINT SHEET: 1 OF 1



10635 Brighton Lane
Stafford, TX, 77477
PH (832) 554-0980
FX (832) 554-0990
www.maximsilencers.com

TITLE: HOCKEY PUCK RESIDENTIAL, UNINSULATED