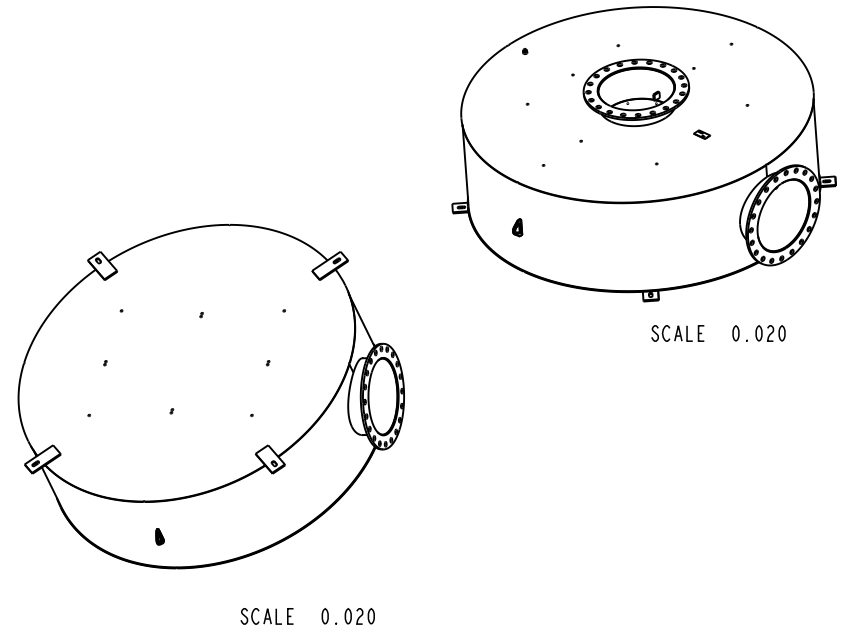
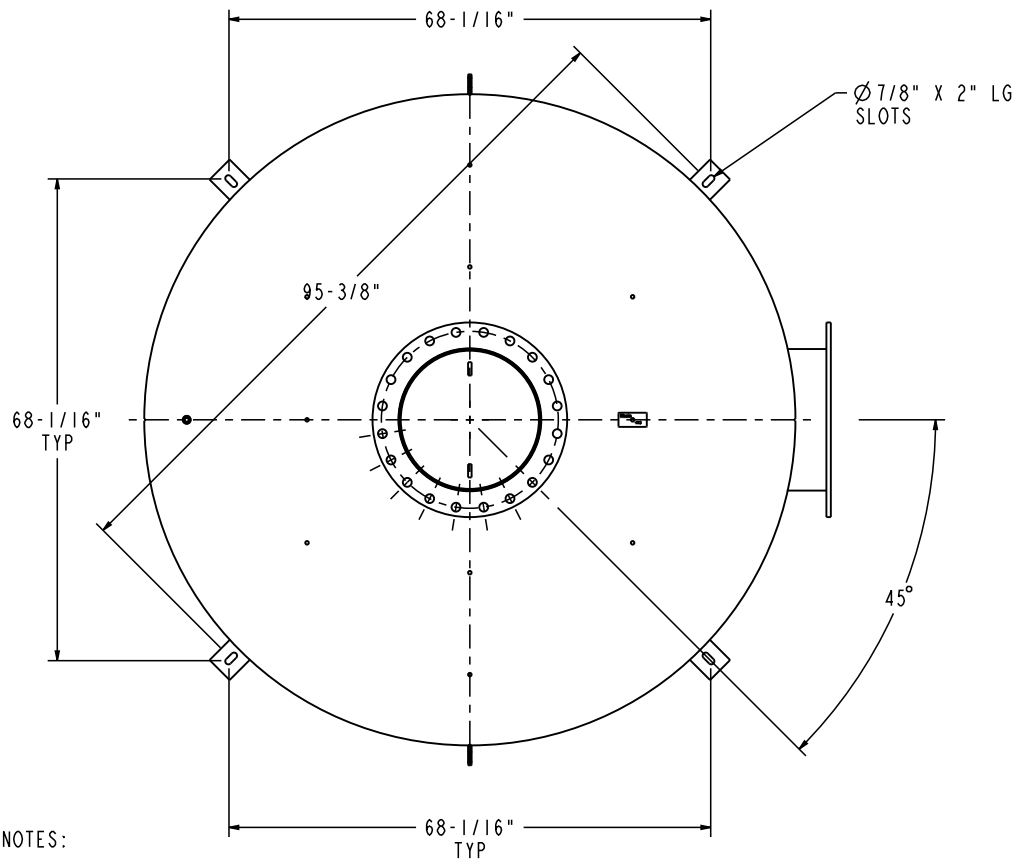
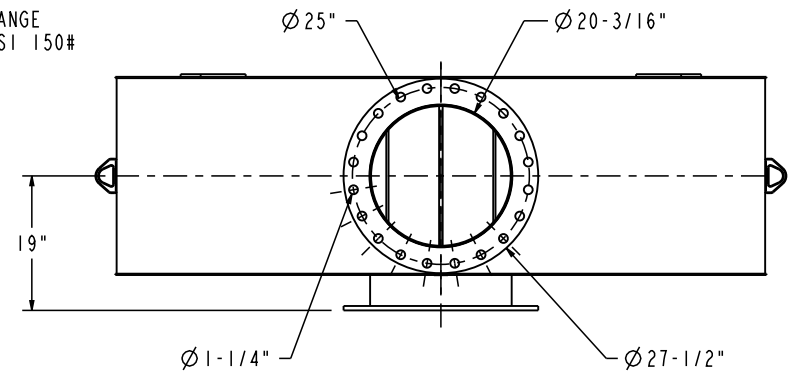


20" OUTLET FLANGE
DRILLED TO ANSI 150#



NOTES:

1. MATERIAL CARBON STEEL.
2. SILENCER IS DESIGNED TO SUPPORT OWN WEIGHT ONLY.
3. STANDARD MAXIM CONSTRUCTION TOLERANCE APPLY ($\pm 1/4"$).
4. ALL WELDED CONSTRUCTION.
5. DRAWING SUBJECT TO CHANGE WITHOUT NOTICE.

XX	XX	MM/DD/YY	XXXXXXXXXXXXXX
REV. NO.	REV. BY	DATE	DESCRIPTION
ALL DIMENSIONS IN INCHES UNLESS OTHERWISE SPECIFIED. TOLERANCES APPLY ON CRITICAL DIMENSION(S) AS SHOWN BELOW: $\pm 1/4"$ IMP FRAC; ± 0.25 IMP DEC ± 0.35 MM METRIC; $\pm 2^\circ$ ANGULAR			
DRAWING TYPE:		SALES	
DRAWN BY:		DATE:	
BP		10/3/17	
APPROVED BY:		DATE:	
[DIM] HOLD - CRITICAL DIMENSION		TITLE:	
THE INFORMATION HEREIN IS THE PROPERTY OF MAXIM SILENCERS. TRANSMITTAL TO OTHERS OR USE EXCEPT THAT FOR WHICH IT IS PROVIDED IS STRICTLY PROHIBITED. DO NOT SCALE DRAWING.		HOCKEY PUCK CRITICAL, COLD INSULATED	
REF #:	EST. WEIGHT:	MAXIM MODEL NO.:	DRAWING NO.:
08	2186 LBS	MD32-20C1-ST	STANDARD
THIRD ANGLE PROJECTION	ORDER:	SHIP DATE:	PROJECT/SALES ORDER NO.:
			EXTERNAL FINISH:
			HT BLACK PAINT
			REV: 00
			SHEET: 1 OF 1



10635 Brighton Lane
Stafford, TX 77477
PH (832) 554-0980
FX (832) 554-0990
www.maximsilencers.com