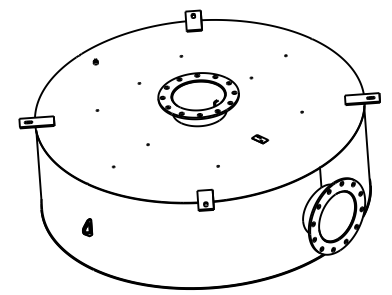
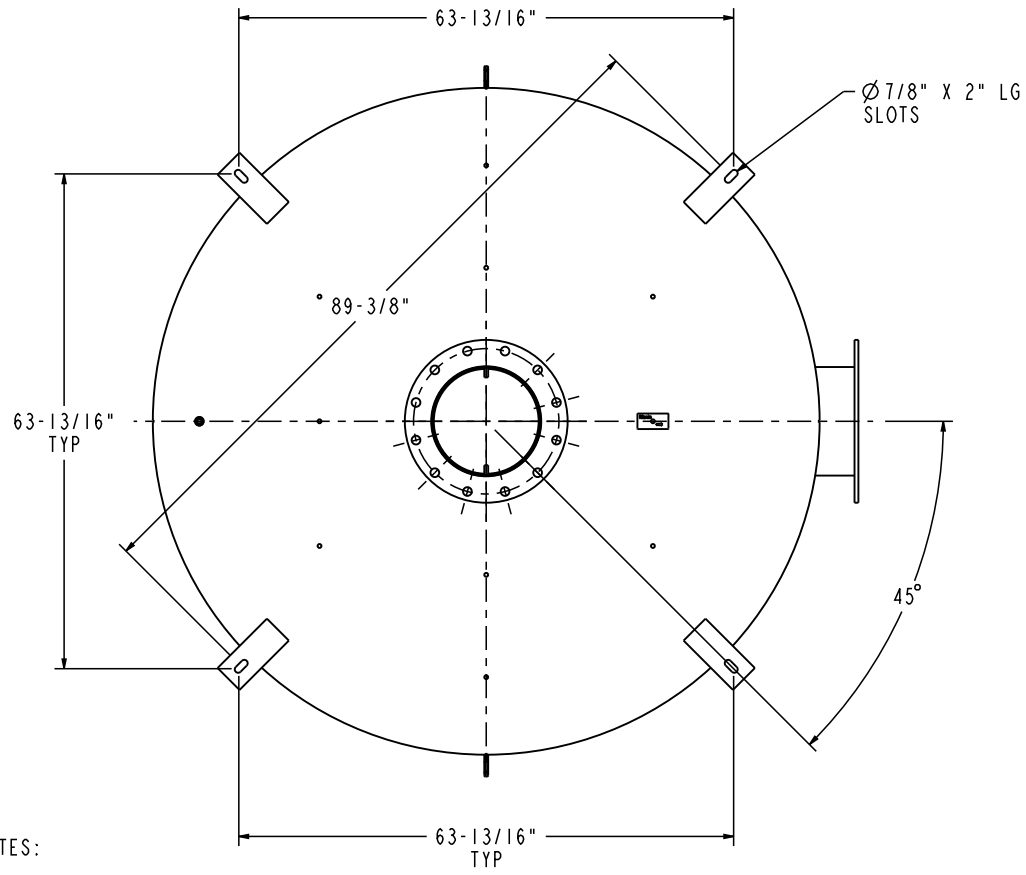
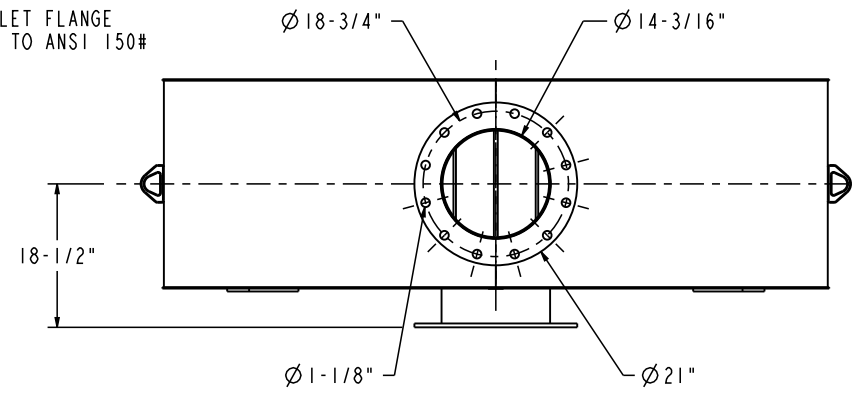
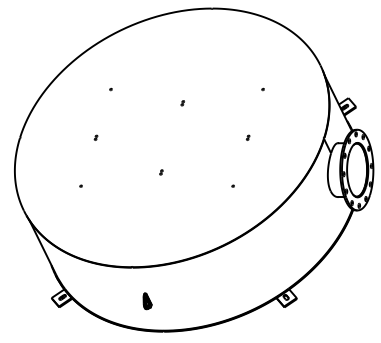


14" OUTLET FLANGE
DRILLED TO ANSI 150#



SCALE 0.020



SCALE 0.020

NOTES:

1. MATERIAL CARBON STEEL.
2. SILENCER IS DESIGNED TO SUPPORT OWN WEIGHT ONLY.
3. STANDARD MAXIM CONSTRUCTION TOLERANCE APPLY ($\pm 1/4"$).
4. ALL WELDED CONSTRUCTION.
5. DRAWING SUBJECT TO CHANGE WITHOUT NOTICE.

REV. NO.	REV. BY	MM/DD/YY	DATE	DESCRIPTION
XX	XX	MM/DD/YY	DATE	XXXXXXXXXXXXXX
ALL DIMENSIONS IN INCHES UNLESS OTHERWISE SPECIFIED. TOLERANCES APPLY ON CRITICAL DIMENSION(S) AS SHOWN BELOW: $\pm 1/4"$ IMP FRAC; ± 0.25 IMP DEC ± 0.35 MM METRIC; $\pm 2^\circ$ ANGULAR				DRAWING TYPE: SALES DRAWN BY: BP DATE: 10/6/17
DIM HOLD - CRITICAL DIMENSION				APPROVED BY: _____ DATE: _____
THE INFORMATION HEREIN IS THE PROPERTY OF MAXIM SILENCERS. TRANSMITTAL TO OTHERS OR USE EXCEPT THAT FOR WHICH IT IS PROVIDED IS STRICTLY PROHIBITED. DO NOT SCALE DRAWING.				TITLE: HOCKEY PUCK HOSPITAL, ICE INSULATED
REF #:	08	EST. WEIGHT:	1961 LBS	MAXIM MODEL NO.: MD52-14C1-SB DRAWING NO.: STANDARD REV: 00
THIRD ANGLE PROJECTION	ORDER:	SHIP DATE:	PROJECT/SALES ORDER NO.:	EXTERNAL FINISH: HT BLACK PAINT SHEET: 1 OF 1



10635 Brighton Lane
 Stafford, TX 77477
 PH (832) 554-0980
 FX (832) 554-0990
 www.maximsilencers.com