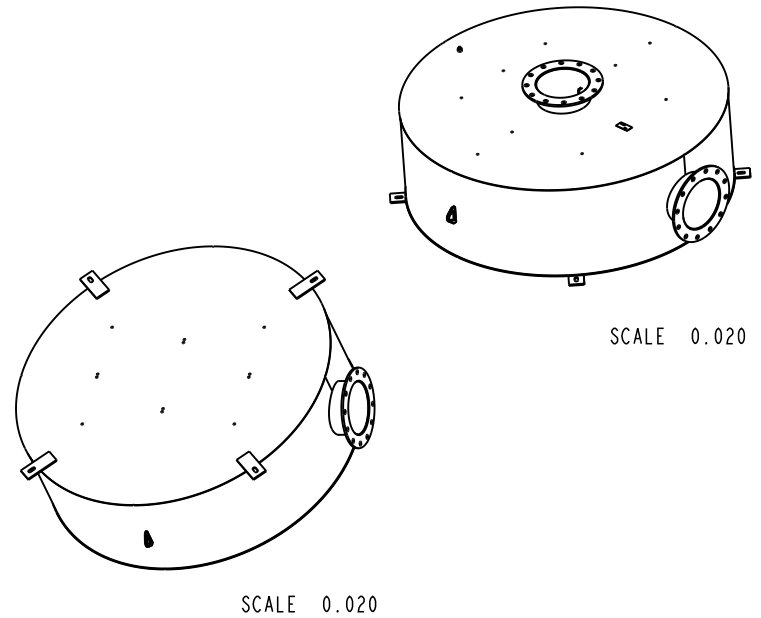



- NOTES:
1. MATERIAL CARBON STEEL.
 2. SILENCER IS DESIGNED TO SUPPORT OWN WEIGHT ONLY.
 3. STANDARD MAXIM CONSTRUCTION TOLERANCE APPLY ($\pm 1/4$ ").
 4. ALL WELDED CONSTRUCTION.
 5. DRAWING SUBJECT TO CHANGE WITHOUT NOTICE.



REV. NO.	REV. BY	MM/DD/YY	DATE	DESCRIPTION
XX	XX	MM/DD/YY	DATE	XXXXXXXXXXXXXX
ALL DIMENSIONS IN INCHES UNLESS OTHERWISE SPECIFIED.				DRAWING TYPE: SALES
TOLERANCES APPLY ON CRITICAL DIMENSION(S) AS SHOWN BELOW: $\pm 1/4$ " IMP FRAC; ± 0.25 IMP DEC ± 0.35 MM METRIC; $\pm 2^\circ$ ANGULAR				 10635 Brighton Lane Stafford, TX 77477 PH (832) 554-0980 FX (832) 554-0990 www.maximsilencers.com
DRAWN BY: BP				DATE: 10/6/17
APPROVED BY:				DATE:
TITLE: HOCKEY PUCK HOSPITAL, ICE INSULATED				
REF #: 08		EST. WEIGHT: 1961 LBS	MAXIM MODEL NO.: MD52-14C1-ST	DRAWING NO.: STANDARD
THIRD ANGLE PROJECTION		ORDER:	SHIP DATE:	PROJECT/SALES ORDER NO.:
				EXTERNAL FINISH: HT BLACK PAINT
				REV: 00
				SHEET: 1 OF 1