

1/2" NOM DIA DRAIN
C/W COUPLING & PLUG

4" INLET FLANGE
DRILLED TO ANSI 150#

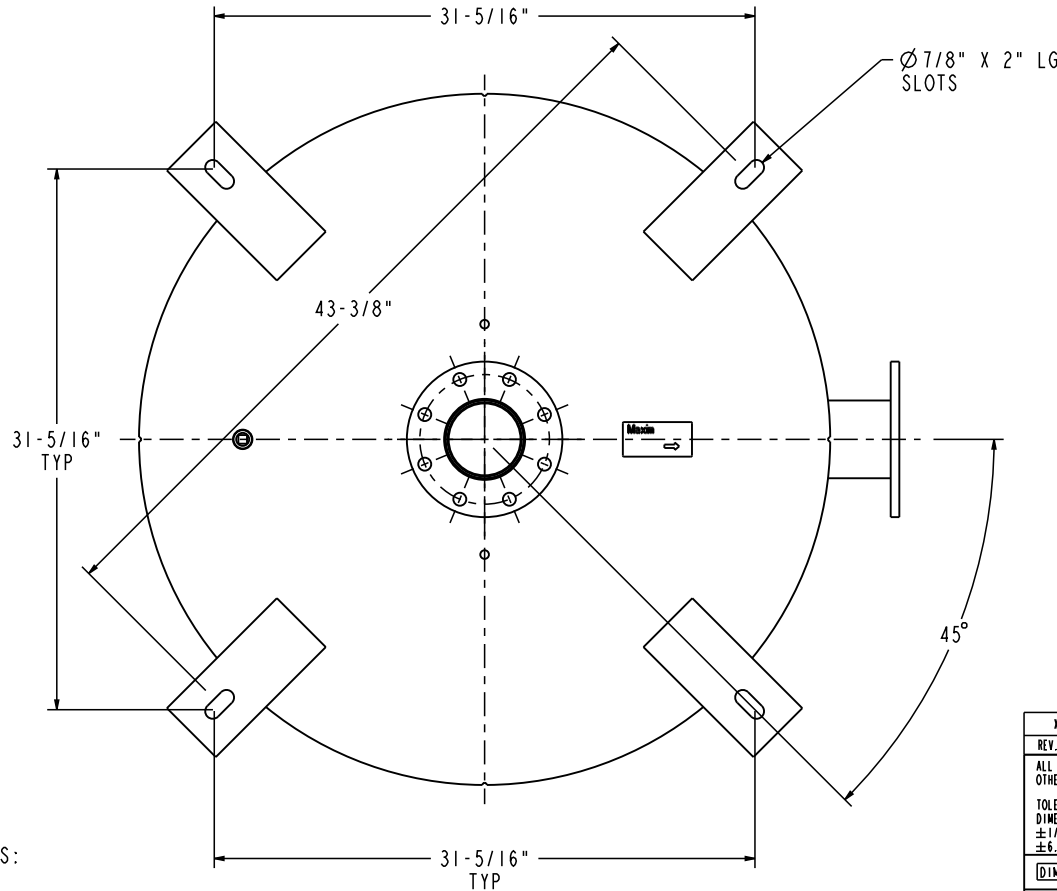
4" OUTLET FLANGE
DRILLED TO ANSI 150#

Ø 7-1/2"

Ø 4-11/16"

Ø 3/4"

Ø 9"



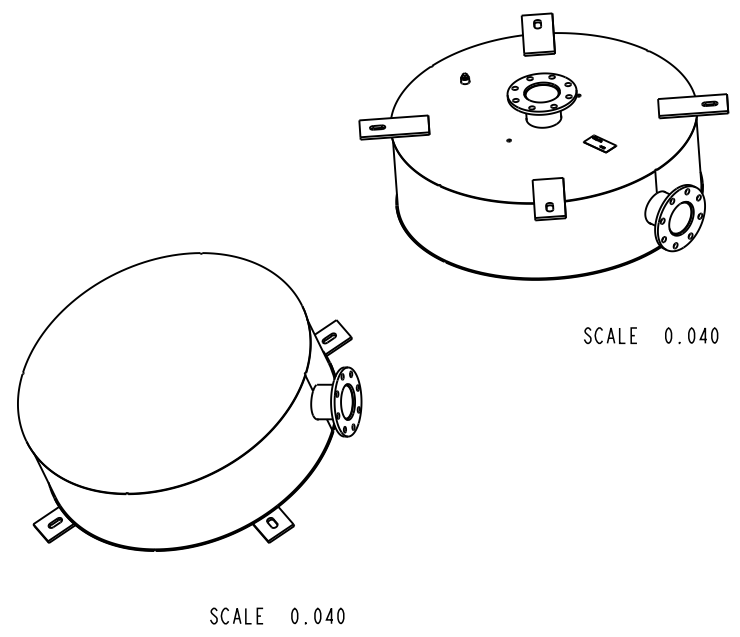
Ø 7/8" X 2" LG
SLOTS

31-5/16" TYP

43-3/8"

31-5/16" TYP

45°




SCALE 0.040

SCALE 0.040

NOTES:

1. MATERIAL CARBON STEEL.
2. SILENCER IS DESIGNED TO SUPPORT OWN WEIGHT ONLY.
3. STANDARD MAXIM CONSTRUCTION TOLERANCE APPLY (±1/4").
4. ALL WELDED CONSTRUCTION.
5. DRAWING SUBJECT TO CHANGE WITHOUT NOTICE.

| REV. NO. | REV. BY | MM/DD/YY | DATE | DESCRIPTION | |
|--|----------|--------------|--------------------------|--|---|
| XX | XX | MM/DD/YY | DATE | DESCRIPTION | |
| ALL DIMENSIONS IN INCHES UNLESS OTHERWISE SPECIFIED. TOLERANCES APPLY ON CRITICAL DIMENSION(S) AS SHOWN BELOW: ±1/4" IMP FRAC; ±0.25 IMP DEC ±0.35 MM METRIC; ±2° ANGULAR | | | | DRAWING TYPE: SALES DRAWN BY: BP DATE: 10/6/17 |  10635 Brighton Lane Stafford, TX, 77477 PH (832) 554-0980 FX (832) 554-0990 www.maximsilencers.com |
| DIM HOLD - CRITICAL DIMENSION | | | | APPROVED BY: DATE: TITLE: HOCKEY PUCK HOSPITAL, ICE INSULATED | |
| THE INFORMATION HEREIN IS THE PROPERTY OF MAXIM SILENCERS. TRANSMITTAL TO OTHERS OR USE EXCEPT THAT FOR WHICH IT IS PROVIDED IS STRICTLY PROHIBITED. DO NOT SCALE DRAWING. | | | | | |
| REF #: | 08 | EST. WEIGHT: | 259 LBS | MAXIM MODEL NO.: MD52-4CI-SB | |
| DRAWING NO.: | STANDARD | REV: | 00 | | |
| THIRD ANGLE PROJECTION | ORDER: | SHIP DATE: | PROJECT/SALES ORDER NO.: | EXTERNAL FINISH: HT BLACK PAINT | |
| | | | | SHEET: 1 OF 1 | |