

1/2" NOM DIA DRAIN
C/W COUPLING & PLUG

6-5/8" 6" INLET FLANGE
DRILLED TO ANSI 150#

6" OUTLET FLANGE
DRILLED TO ANSI 150#

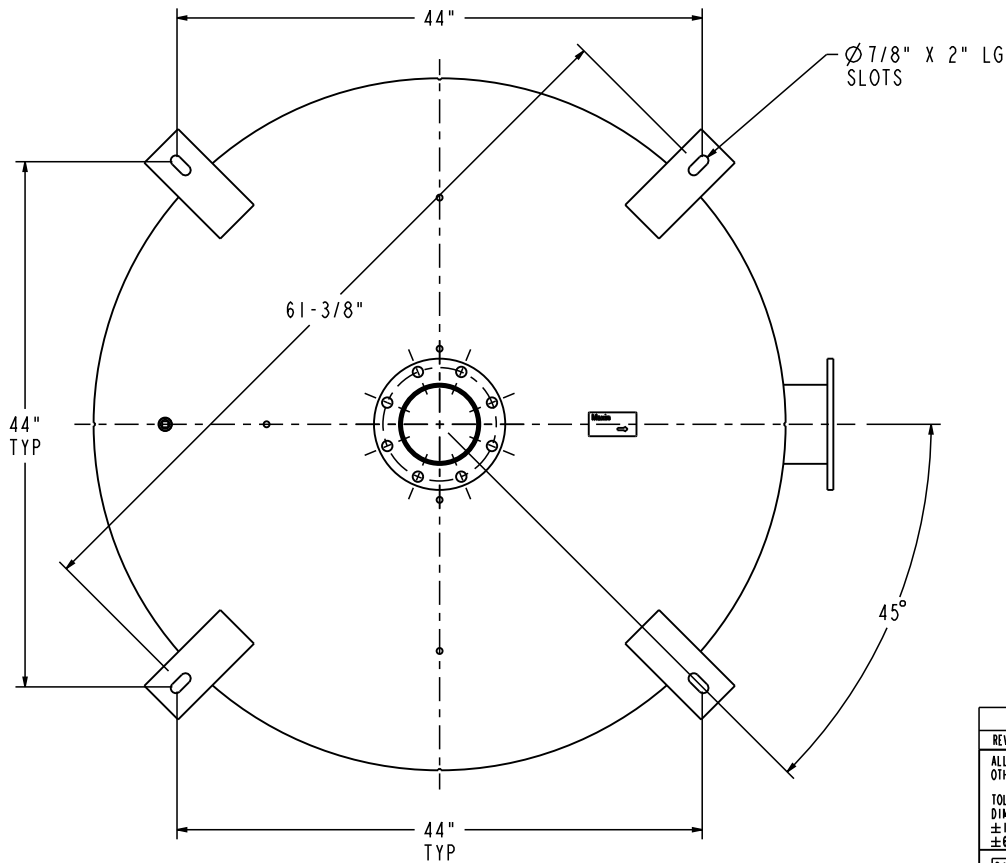
Ø9-1/2"

Ø6-13/16"

11-1/2"

Ø7/8"

Ø11"



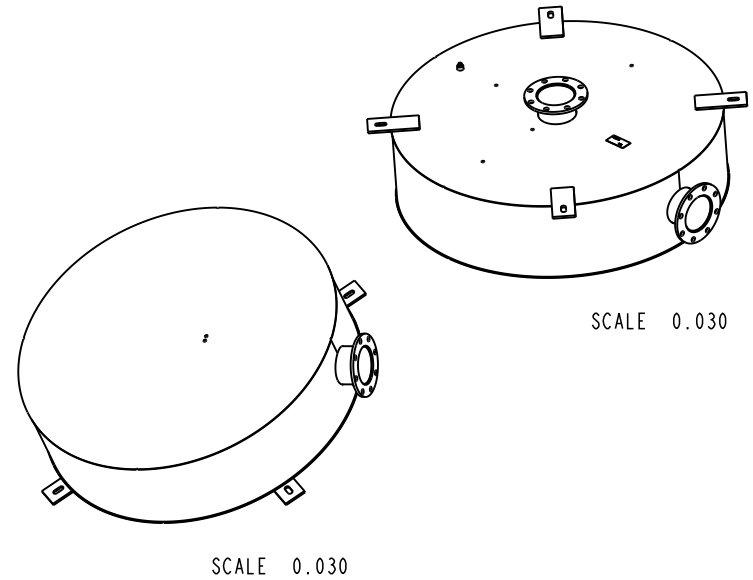
Ø7/8" X 2" LG
SLOTS

61-3/8"

44" TYP

44" TYP

45°



SCALE 0.030

SCALE 0.030

NOTES:

1. MATERIAL CARBON STEEL.
2. SILENCER IS DESIGNED TO SUPPORT OWN WEIGHT ONLY.
3. STANDARD MAXIM CONSTRUCTION TOLERANCE APPLY ($\pm 1/4"$).
4. ALL WELDED CONSTRUCTION.
5. DRAWING SUBJECT TO CHANGE WITHOUT NOTICE.

REV. NO.	REV. BY	MM/DD/YY	DATE	DESCRIPTION
XX	XX	MM/DD/YY	DATE	XXXXXXXXXXXXXX
ALL DIMENSIONS IN INCHES UNLESS OTHERWISE SPECIFIED. TOLERANCES APPLY ON CRITICAL DIMENSION(S) AS SHOWN BELOW: $\pm 1/4"$ IMP FRAC; ± 0.25 IMP DEC ± 0.35 MM METRIC; $\pm 2^\circ$ ANGULAR				DRAWING TYPE: SALES DRAWN BY: BP DATE: 10/6/17
DIM HOLD - CRITICAL DIMENSION THE INFORMATION HEREIN IS THE PROPERTY OF MAXIM SILENCERS. TRANSMITTAL TO OTHERS OR USE EXCEPT THAT FOR WHICH IT IS PROVIDED IS STRICTLY PROHIBITED. DO NOT SCALE DRAWING.				APPROVED BY: _____ DATE: _____ REF #: 08 EST. WEIGHT: 653 LBS ORDER: _____
MAXIM SILENCERS 10635 Brighton Lane Stafford, TX 77477 PH (832) 554-0980 FX (832) 554-0990 www.maximsilencers.com				TITLE: HOCKEY PUCK HOSPITAL, ICE INSULATED
MAXIM MODEL NO.: MD52-6CI-SB		DRAWING NO.: STANDARD		REV: 00
PROJECT/SALES ORDER NO.: _____		EXTERNAL FINISH: HT BLACK PAINT		SHEET: 1 OF 1