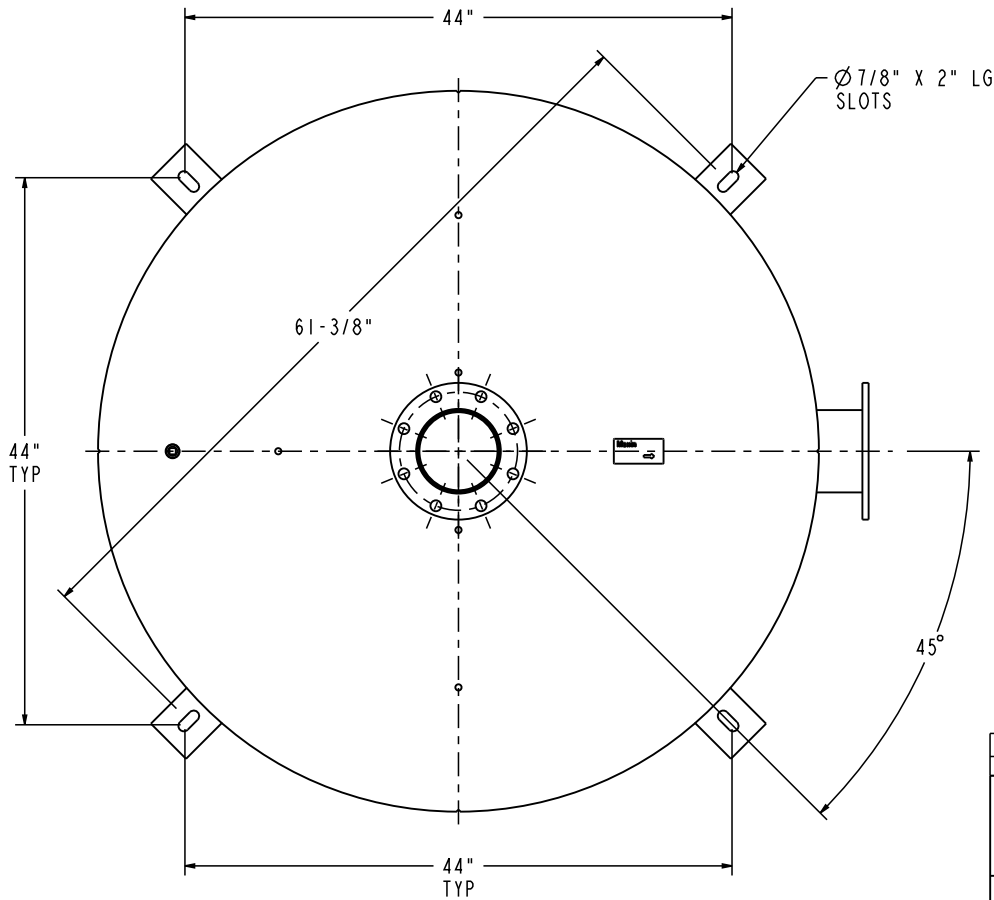


1/2" NOM DIA DRAIN
C/W COUPLING & PLUG

6-5/8" 6" INLET FLANGE
DRILLED TO ANSI 150#

6" OUTLET FLANGE
DRILLED TO ANSI 150#

Ø 9-1/2" Ø 6-13/16"
Ø 7/8" Ø 11"



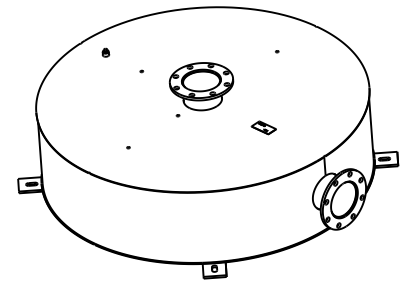
Ø 7/8" X 2" LG
SLOTS

44" TYP

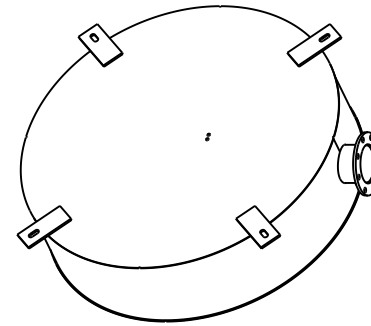
61-3/8"

44" TYP

45°




SCALE 0.030



SCALE 0.030

NOTES:

1. MATERIAL CARBON STEEL.
2. SILENCER IS DESIGNED TO SUPPORT OWN WEIGHT ONLY.
3. STANDARD MAXIM CONSTRUCTION TOLERANCE APPLY ($\pm 1/4"$).
4. ALL WELDED CONSTRUCTION.
5. DRAWING SUBJECT TO CHANGE WITHOUT NOTICE.

REV. NO.	REV. BY	MM/DD/YY	DATE	DESCRIPTION
XX	XX	MM/DD/YY	DATE	XXXXXXXXXXXXXX
ALL DIMENSIONS IN INCHES UNLESS OTHERWISE SPECIFIED.				DRAWING TYPE: SALES
TOLERANCES APPLY ON CRITICAL DIMENSION(S) AS SHOWN BELOW: $\pm 1/4"$ IMP FRAC; ± 0.25 IMP DEC ± 0.35 MM METRIC; $\pm 2^\circ$ ANGULAR				 10635 Brighton Lane Stafford, TX 77477 PH (832) 554-0980 FX (832) 554-0990 www.maximsilencers.com
DIM HOLD - CRITICAL DIMENSION				DRAWN BY: BP DATE: 10/6/17 APPROVED BY: DATE:
THE INFORMATION HEREIN IS THE PROPERTY OF MAXIM SILENCERS. TRANSMITTAL TO OTHERS OR USE EXCEPT THAT FOR WHICH IT IS PROVIDED IS STRICTLY PROHIBITED. DO NOT SCALE DRAWING.				TITLE: HOCKEY PUCK HOSPITAL, ICE INSULATED
REF #:	08	EST. WEIGHT:	653 LBS	MAXIM MODEL NO.: MD52-6CI-ST
THIRD ANGLE PROJECTION	ORDER:	SHIP DATE:	PROJECT/SALES ORDER NO.:	EXTERNAL FINISH: HT BLACK PAINT
			DRAWING NO.: STANDARD	REV: 00
			SHEET: 1 OF 1	