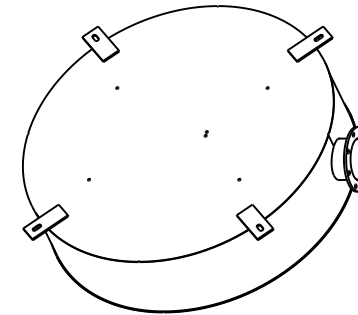



SCALE 0.025



SCALE 0.025

NOTES:

1. MATERIAL CARBON STEEL.
2. SILENCER IS DESIGNED TO SUPPORT OWN WEIGHT ONLY.
3. STANDARD MAXIM CONSTRUCTION TOLERANCE APPLY ($\pm 1/4"$).
4. ALL WELDED CONSTRUCTION.
5. DRAWING SUBJECT TO CHANGE WITHOUT NOTICE.

XX	XX	MM/DD/YY	XXXXXXXXXXXXXX
REV. NO.	REV. BY	DATE	DESCRIPTION
ALL DIMENSIONS IN INCHES UNLESS OTHERWISE SPECIFIED.			DRAWING TYPE: SALES
TOLERANCES APPLY ON CRITICAL DIMENSION(S) AS SHOWN BELOW: $\pm 1/4"$ IMP FRAC; ± 0.25 IMP DEC ± 0.35 MM METRIC; $\pm 2^\circ$ ANGULAR			 10635 Brighton Lane Stafford, TX 77477 PH (832) 554-0980 FX (832) 554-0990 www.maximsilencers.com
DRAWN BY: BP		DATE: 10/6/17	TITLE: HOCKEY PUCK HOSPITAL, ICE INSULATED
APPROVED BY:		DATE:	REV: 00
THE INFORMATION HEREIN IS THE PROPERTY OF MAXIM SILENCERS. TRANSMITTAL TO OTHERS OR USE EXCEPT THAT FOR WHICH IT IS PROVIDED IS STRICTLY PROHIBITED. DO NOT SCALE DRAWING.		REF #: 08	EST. WEIGHT: 906 LBS
THIRD ANGLE PROJECTION		ORDER:	MAXIM MODEL NO.: MD52-8CI-ST
		SHIP DATE:	DRAWING NO.: STANDARD
		PROJECT/SALES ORDER NO.:	EXTERNAL FINISH: HT BLACK PAINT
			SHEET: 1 OF 1