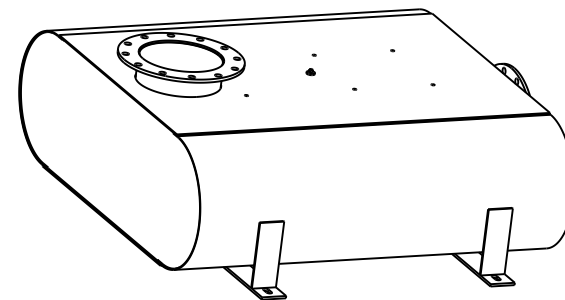


TOP VIEW  
SCALE 0.035



BOTTOM VIEW  
SCALE 0.035

NOTES:

1. MATERIAL CARBON STEEL.
2. SILENCER IS DESIGNED TO SUPPORT OWN WEIGHT ONLY.
3. STANDARD MAXIM CONSTRUCTION TOLERANCE APPLY  $\pm 1/4"$ .
4. ALL WELDED CONSTRUCTION.
5. DRAWING SUBJECT TO CHANGE WITHOUT NOTICE.

XX	XX	MM/DD/YY	XXXXXXXXXXXX
REV. NO.	REV. BY	DATE	DESCRIPTION
ALL DIMENSIONS IN INCHES UNLESS OTHERWISE SPECIFIED. TOLERANCES APPLY ON CRITICAL DIMENSION(S) AS SHOWN BELOW: $\pm 1/4"$ IMP FRAC; $\pm 0.25$ IMP DEC $\pm 0.35$ MM METRIC; $\pm 2^\circ$ ANGULAR			
DRAWING TYPE:		SALES	
DRAWN BY:		DATE:	
AS		10/4/17	
APPROVED BY:		DATE:	
[DIM] HOLD - CRITICAL DIMENSION		TITLE: SILENCER, ENCLOSURE, THIN LINE, CRITICAL GRADE	
THE INFORMATION HEREIN IS THE PROPERTY OF MAXIM SILENCERS. TRANSMITTAL TO OTHERS OR USE EXCEPT THAT FOR WHICH IT IS PROVIDED IS STRICTLY PROHIBITED. DO NOT SCALE DRAWING.			
REF #:	EST. WEIGHT:	MAXIM MODEL NO.:	DRAWING NO.:
03	830 LBS	MR32-12C1-ST	STANDARD
THIRD ANGLE PROJECTION	ORDER:	SHIP DATE:	PROJECT/SALES ORDER NO.:
			EXTERNAL FINISH:
			HT BLACK PAINT
			SHEET: 1 OF 1



10635 Brighton Lane  
Stafford, TX 77477  
PH (832) 554-0980  
FX (832) 554-0990  
www.maximsilencers.com