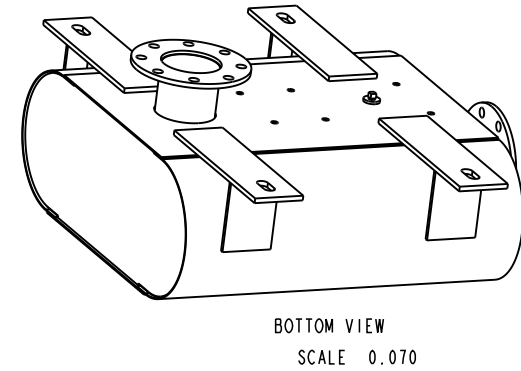
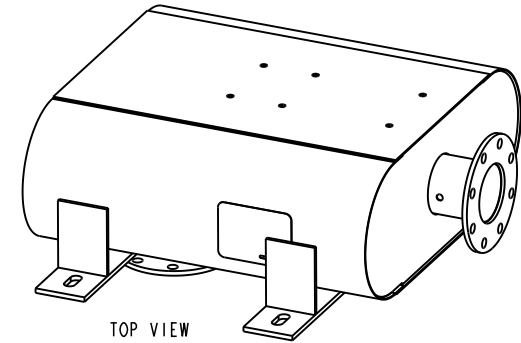
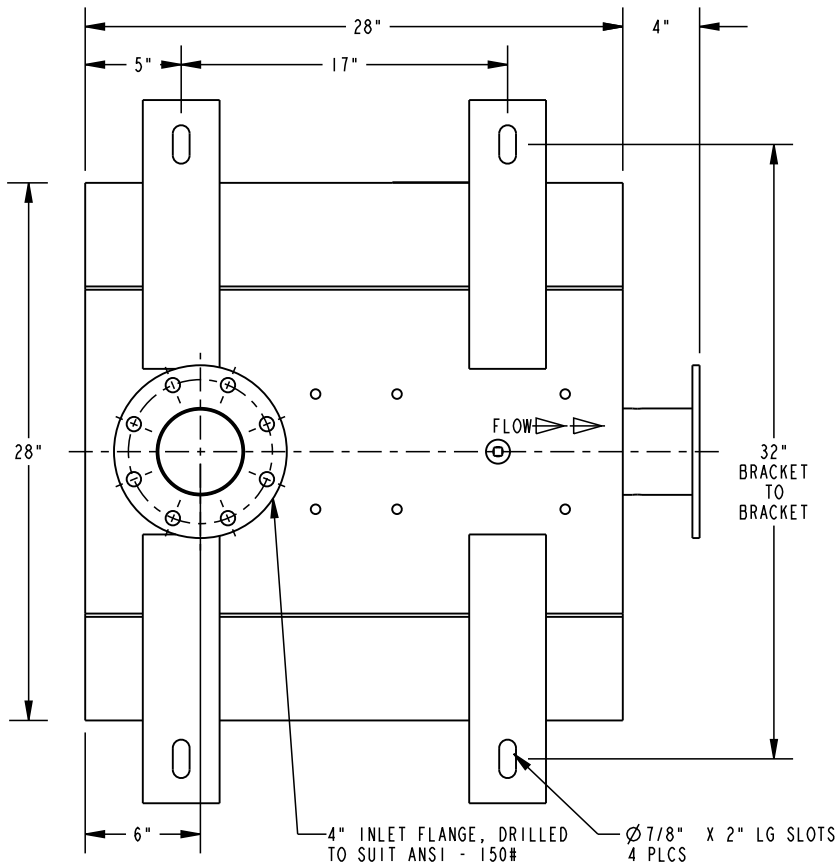
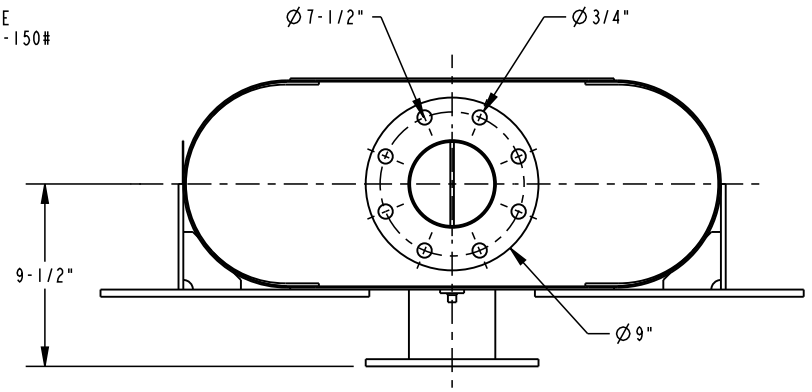


4" OUTLET ANSI FLANGE
DRILLED TO SUIT ANSI-150#



NOTES:

1. MATERIAL CARBON STEEL.
2. SILENCER IS DESIGNED TO SUPPORT OWN WEIGHT ONLY.
3. STANDARD MAXIM CONSTRUCTION TOLERANCE APPLY ±1/4".
4. ALL WELDED CONSTRUCTION.
5. DRAWING SUBJECT TO CHANGE WITHOUT NOTICE.

REV. NO.	REV. BY	MM/DD/YY	DATE	DESCRIPTION
XX	XX	MM/DD/YY	DATE	XXXXXXXXXXXXXX
ALL DIMENSIONS IN INCHES UNLESS OTHERWISE SPECIFIED. TOLERANCES APPLY ON CRITICAL DIMENSION(S) AS SHOWN BELOW: ±1/4" IMP FRACTION; ±0.25 IMP DEC ±0.35 MM METRIC; ±2° ANGULAR				DRAWING TYPE: SALES DRAWN BY: AS DATE: 10/5/17 APPROVED BY: DATE:
[DIM] HOLD - CRITICAL DIMENSION THE INFORMATION HEREIN IS THE PROPERTY OF MAXIM SILENCERS. TRANSMITTAL TO OTHERS OR USE EXCEPT THAT FOR WHICH IT IS PROVIDED IS STRICTLY PROHIBITED. DO NOT SCALE DRAWING.				TITLE: SILENCER, ENCLOSURE, THIN LINE, CRITICAL GRADE MAXIM SILENCERS 10635 Brighton Lane Stafford, TX, 77477 PH (832) 554-0980 FX (832) 554-0990 www.maximsilencers.com
REF #: 03	EST. WEIGHT: 130 LBS	MAXIM MODEL NO.: MR32-4C1-SB	DRAWING NO.: STANDARD	REV: 00
THIRD ANGLE PROJECTION	ORDER:	SHIP DATE:	PROJECT/SALES ORDER NO.:	EXTERNAL FINISH: HT BLACK PAINT
			SHEET: 1 OF 1	