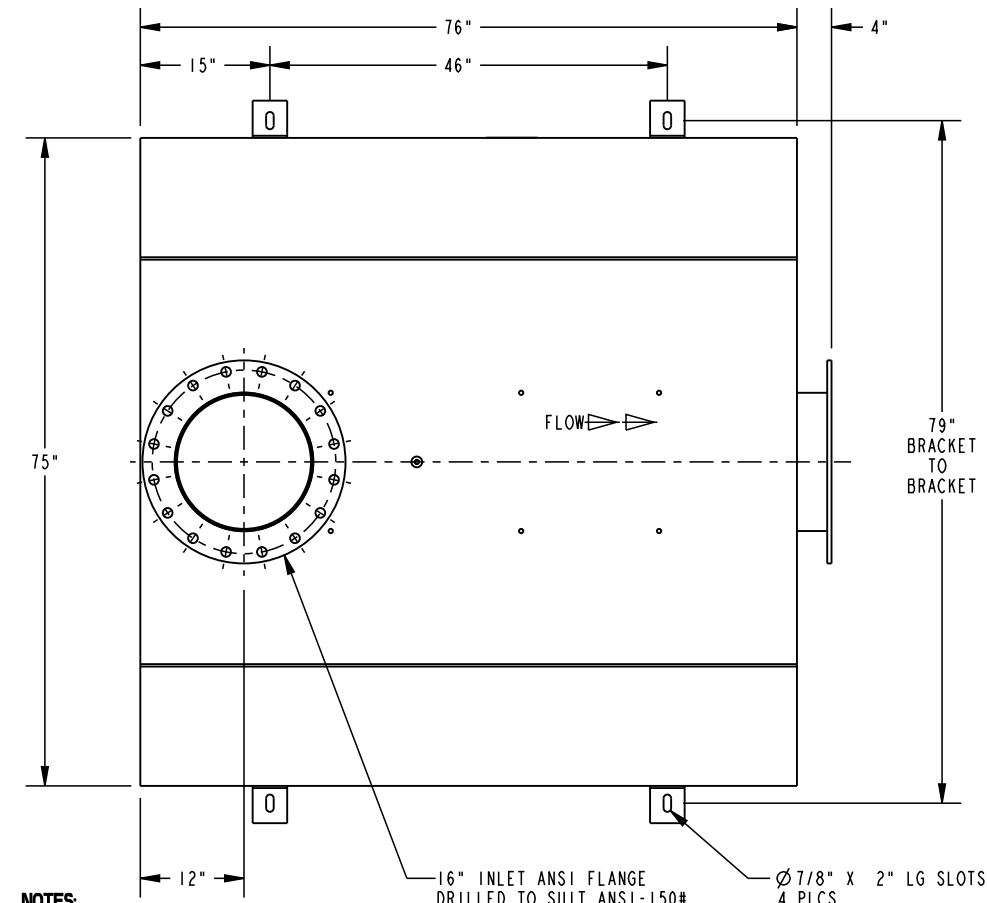
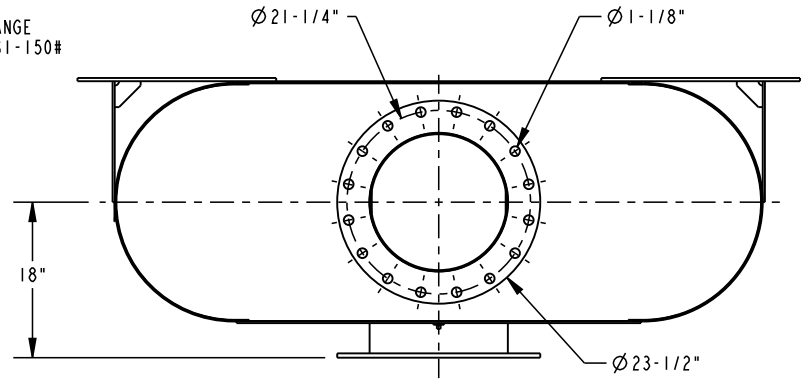


16" OUTLET ANSI FLANGE
DRILLED TO SUIT ANSI-150#



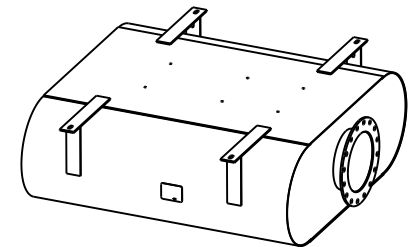
79" BRACKET TO BRACKET

16" INLET ANSI FLANGE
DRILLED TO SUIT ANSI-150#

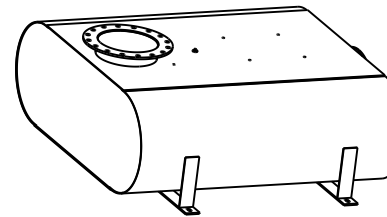
Ø 7/8" X 2" LG SLOTS
4 PLCS

NOTES:

1. MATERIAL CARBON STEEL.
2. SILENCER IS DESIGNED TO SUPPORT OWN WEIGHT ONLY.
3. STANDARD MAXIM CONSTRUCTION TOLERANCE APPLY ±1/4".
4. ALL WELDED CONSTRUCTION.
5. DRAWING SUBJECT TO CHANGE WITHOUT NOTICE.



SCALE 0.020
TOP VIEW



SCALE 0.020
BOTTOM VIEW

REV. NO.	REV. BY	MM/DD/YY	DATE	DESCRIPTION
XX	XX	MM/DD/YY	DATE	XXXXXXXXXXXXXX
ALL DIMENSIONS IN INCHES UNLESS OTHERWISE SPECIFIED. TOLERANCES APPLY ON CRITICAL DIMENSION(S) AS SHOWN BELOW: ±1/4" IMP FRAC; ±0.25 IMP DEC ±0.35 MM METRIC; ±2° ANGULAR				DRAWING TYPE: SALES DRAWN BY: BP DATE: 4/17/18
DIM HOLD - CRITICAL DIMENSION				APPROVED BY: BP DATE:
THE INFORMATION HEREIN IS THE PROPERTY OF MAXIM SILENCERS. TRANSMITTAL TO OTHERS OR USE EXCEPT THAT FOR WHICH IT IS PROVIDED IS STRICTLY PROHIBITED. DO NOT SCALE DRAWING.				TITLE: SILENCER, ENCLOSURE, THIN LINE, SUPER CRITICAL GRADE
REF #:	03	EST. WEIGHT:	2044 LBS	MAXIM MODEL NO.: MR42-16C1-ST DRAWING NO.: STANDARD REV: 00
THIRD ANGLE PROJECTION	ORDER:	SHIP DATE:	PROJECT/SALES ORDER NO.:	EXTERNAL FINISH: HT BLACK PAINT SHEET: 1 OF 1



10635 Brighton Lane
Stafford, TX 77477
PH (832) 554-0980
FX (832) 554-0990
www.maximsilencers.com