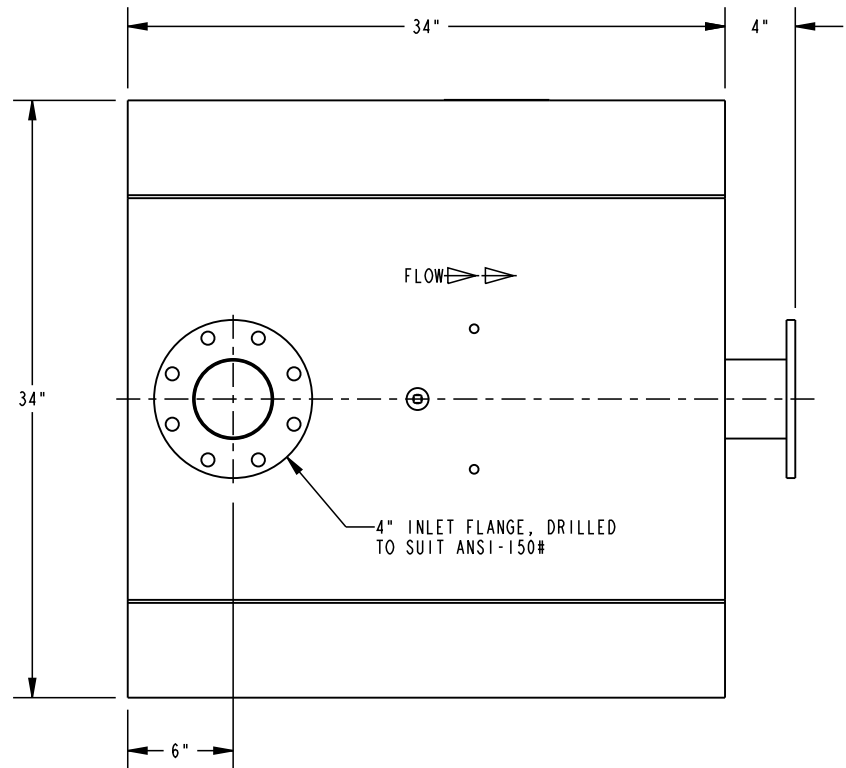
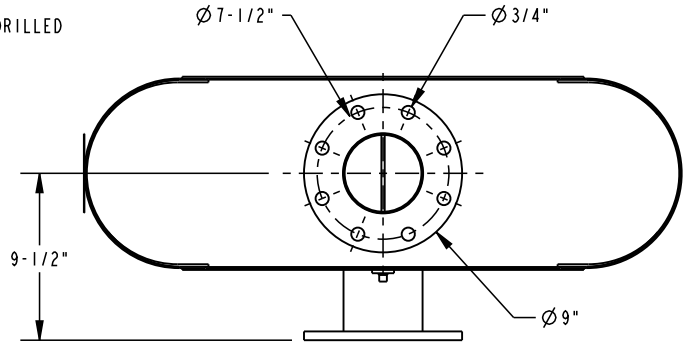
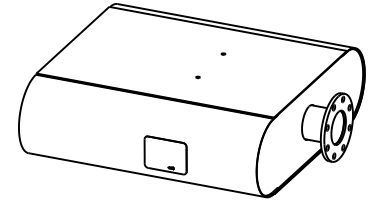


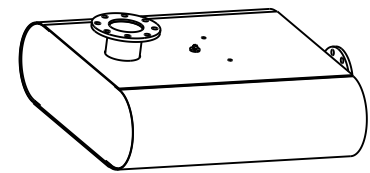
4" OUTLET FLANGE, DRILLED TO SUIT ANSI-150#



4" INLET FLANGE, DRILLED TO SUIT ANSI-150#



TOP VIEW  
SCALE 0.040



BOTTOM VIEW  
SCALE 0.040

**NOTES:**

1. MATERIAL CARBON STEEL.
2. SILENCER IS DESIGNED TO SUPPORT OWN WEIGHT ONLY.
3. STANDARD MAXIM CONSTRUCTION TOLERANCE APPLY ±1/4".
4. ALL WELDED CONSTRUCTION.
5. DRAWING SUBJECT TO CHANGE WITHOUT NOTICE.

REV. NO.	REV. BY	MM/DD/YY	DATE	DESCRIPTION
XX	XX	MM/DD/YY	DATE	XXXXXXXXXXXXXXXX
ALL DIMENSIONS IN INCHES UNLESS OTHERWISE SPECIFIED. TOLERANCES APPLY ON CRITICAL DIMENSION(S) AS SHOWN BELOW: ±1/4" IMP FRAC; ±0.25 IMP DEC ±0.35 MM METRIC; ±2° ANGULAR				<b>DRAWING TYPE:</b> SALES <b>DRAWN BY:</b> MN <b>DATE:</b> 1/8/18 <b>APPROVED BY:</b> <b>DATE:</b>
<b>[DIM] HOLD - CRITICAL DIMENSION</b> THE INFORMATION HEREIN IS THE PROPERTY OF MAXIM SILENCERS. TRANSMITTAL TO OTHERS OR USE EXCEPT THAT FOR WHICH IT IS PROVIDED IS STRICTLY PROHIBITED. DO NOT SCALE DRAWING.				<b>TITLE:</b> SILENCER, ENCLOSURE, THIN LINE, SUPER CRITICAL GRADE <b>MAXIM SILENCERS</b> 10635 Brighton Lane Stafford, TX, 77477 PH (832) 554-0980 FX (832) 554-0990 www.maximsilencers.com
<b>REF #:</b> 03	<b>EST. WEIGHT:</b> 241 LBS	<b>MAXIM MODEL NO.:</b> MR42-4C1-ST	<b>DRAWING NO.:</b> STANDARD	<b>REV:</b> 00
<b>THIRD ANGLE PROJECTION</b>	<b>ORDER:</b>	<b>SHIP DATE:</b>	<b>PROJECT/SALES ORDER NO.:</b>	<b>EXTERNAL FINISH:</b> HT BLACK PAINT
			<b>SHEET:</b> 1 OF 1	