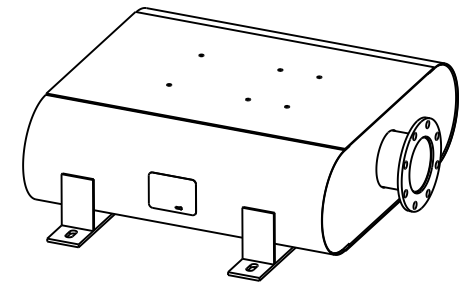
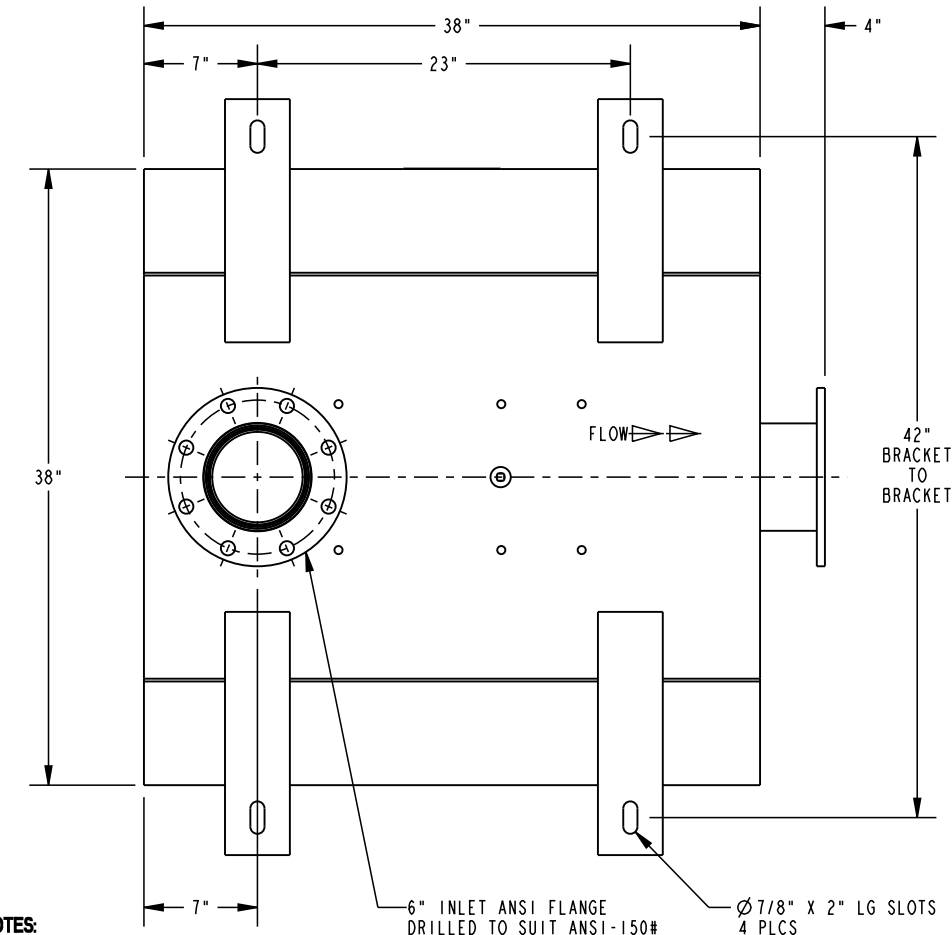
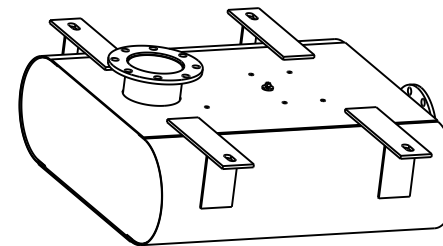


6" OUTLET ANSI FLANGE
DRILLED TO SUIT ANSI-150#



TOP VIEW
SCALE 0.045



SCALE 0.045
BOTTOM VIEW

NOTES:

1. MATERIAL CARBON STEEL.
2. SILENCER IS DESIGNED TO SUPPORT OWN WEIGHT ONLY.
3. STANDARD MAXIM CONSTRUCTION TOLERANCE APPLY ±1/4".
4. ALL WELDED CONSTRUCTION.
5. DRAWING SUBJECT TO CHANGE WITHOUT NOTICE.

REV. NO.	REV. BY	MM/DD/YY	DATE	DESCRIPTION
XX	XX	MM/DD/YY	DATE	XXXXXXXXXXXX
ALL DIMENSIONS IN INCHES UNLESS OTHERWISE SPECIFIED. TOLERANCES APPLY ON CRITICAL DIMENSION(S) AS SHOWN BELOW: ±1/4" IMP FRAC; ±0.25 IMP DEC ±0.35 MM METRIC; ±2° ANGULAR				DRAWING TYPE: SALES DRAWN BY: BP DATE: 4/16/18
[DIM] HOLD - CRITICAL DIMENSION				APPROVED BY: DATE:
THE INFORMATION HEREIN IS THE PROPERTY OF MAXIM SILENCERS. TRANSMITTAL TO OTHERS OR USE EXCEPT THAT FOR WHICH IT IS PROVIDED IS STRICTLY PROHIBITED. DO NOT SCALE DRAWING.				TITLE: SILENCER, ENCLOSURE, THIN LINE, SUPER CRITICAL GRADE
REF #: 03		EST. WEIGHT: 373 LBS		MAXIM MODEL NO.: MR42-6C1-SB DRAWING NO.: STANDARD REV: 00
THIRD ANGLE PROJECTION		ORDER:		SHIP DATE:
PROJECT/SALES ORDER NO.:				EXTERNAL FINISH: HT BLACK PAINT SHEET: 1 OF 1



10635 Brighton Lane
Stafford, TX 77477
PH (832) 554-0980
FX (832) 554-0990
www.maximsilencers.com