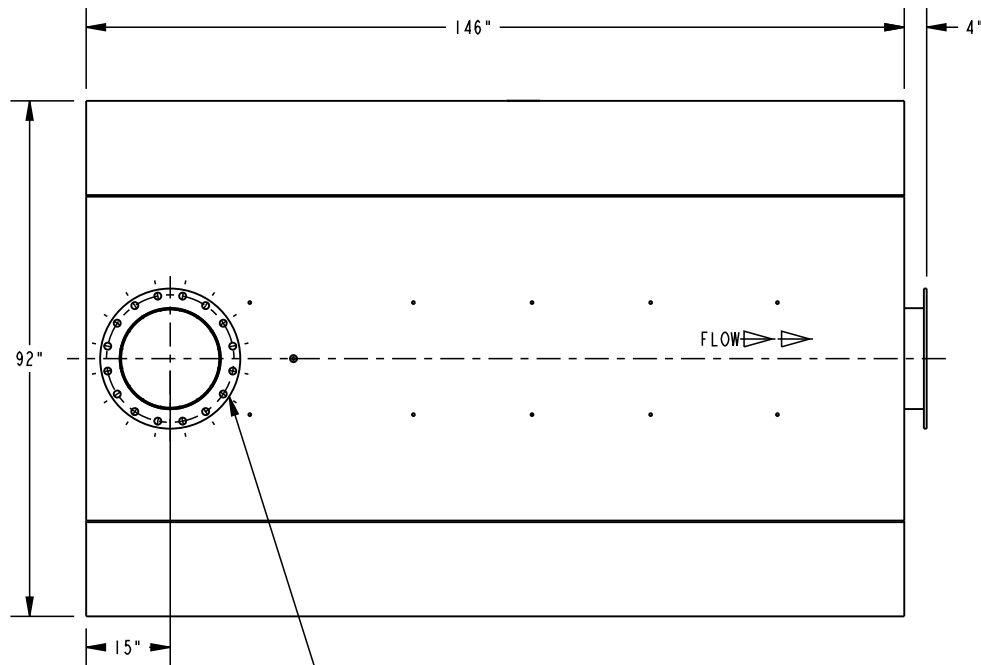
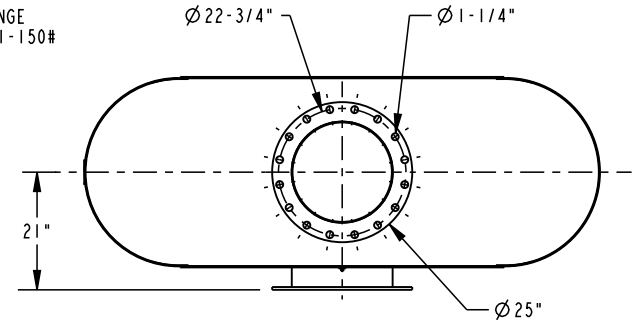
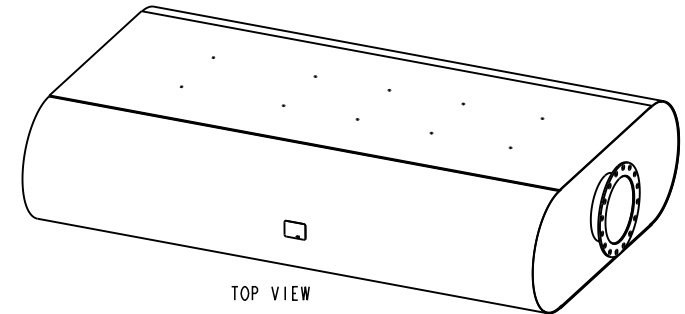


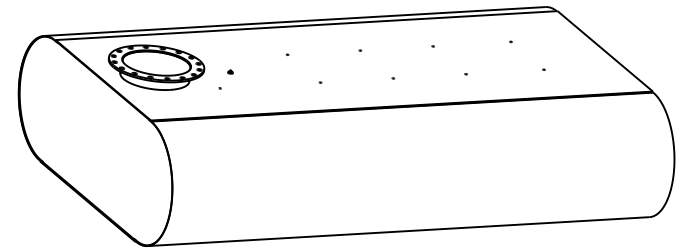
18" OUTLET ANSI FLANGE  
DRILLED TO SUIT ANSI-150#



18" INLET FLANGE, DRILLED  
TO SUIT ANSI - 150#



TOP VIEW  
SCALE 0.020



BOTTOM VIEW  
SCALE 0.020

NOTES:

1. MATERIAL CARBON STEEL.
2. SILENCER IS DESIGNED TO SUPPORT OWN WEIGHT ONLY.
3. STANDARD MAXIM CONSTRUCTION TOLERANCE APPLY  $\pm 1/4"$ .
4. ALL WELDED CONSTRUCTION.
5. DRAWING SUBJECT TO CHANGE WITHOUT NOTICE.

REV. NO.	REV. BY	MM/DD/YY	DATE	DESCRIPTION
XX	XX	MM/DD/YY	DATE	XXXXXXXXXXXXXXXX
ALL DIMENSIONS IN INCHES UNLESS OTHERWISE SPECIFIED. TOLERANCES APPLY ON CRITICAL DIMENSION(S) AS SHOWN BELOW: $\pm 1/4"$ IMP FRAC; $\pm 0.25$ IMP DEC $\pm 0.35$ MM METRIC; $\pm 2^\circ$ ANGULAR				DRAWING TYPE: SALES DRAWN BY: AS DATE: 10/5/17
DIM HOLD - CRITICAL DIMENSION				APPROVED BY: _____ DATE: _____
THE INFORMATION HEREIN IS THE PROPERTY OF MAXIM SILENCERS. TRANSMITTAL TO OTHERS OR USE EXCEPT THAT FOR WHICH IT IS PROVIDED IS STRICTLY PROHIBITED. DO NOT SCALE DRAWING.				<b>MAXIM SILENCERS</b> 10635 Brighton Lane Stafford, TX, 77477 PH (832) 554-0980 FX (832) 554-0990 www.maximsilencers.com
TITLE: SILENCER, ENCLOSURE, THIN LINE, EXTREME GRADE		MAXIM MODEL NO.: MR62-18C1	DRAWING NO.: STANDARD	REV: 00
REF #: 03	EST. WEIGHT: 2960 LBS	ORDER: _____	SHIP DATE: _____	PROJECT/SALES ORDER NO. _____ EXTERNAL FINISH: HT BLACK PAINT
THIRD ANGLE PROJECTION				SHEET: 1 OF 1