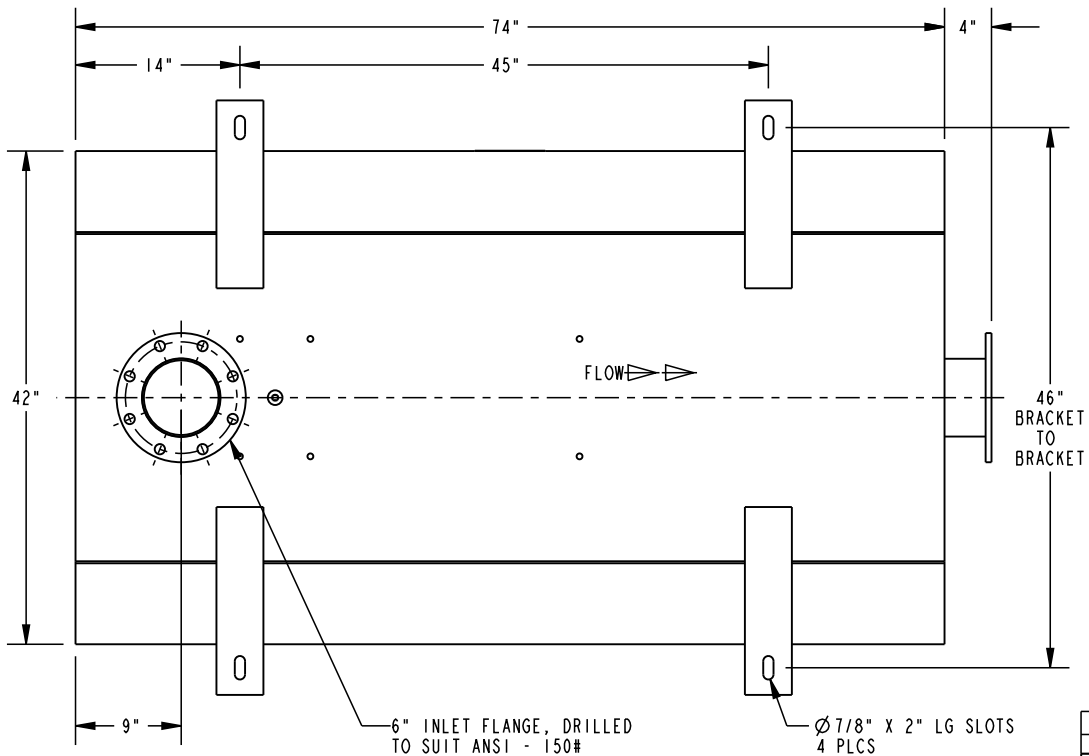
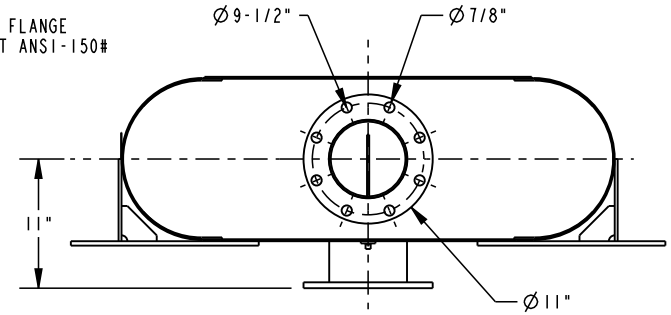


6" OUTLET ANSI FLANGE
DRILLED TO SUIT ANSI-150#

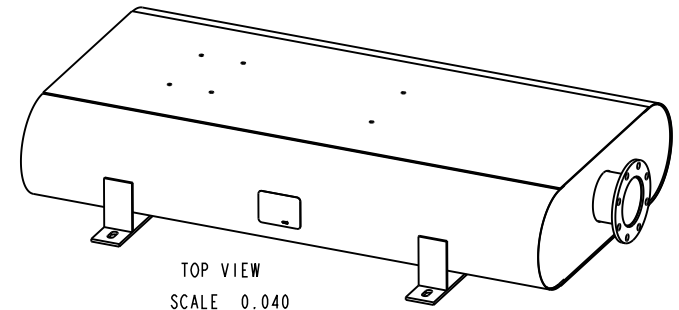
6-5/8" OD



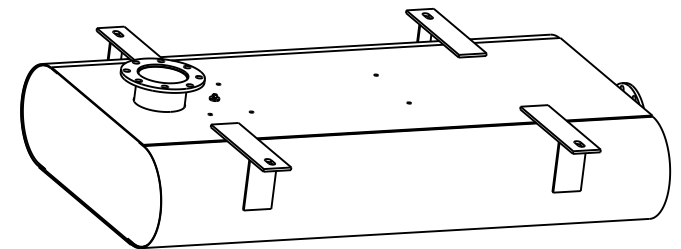
6" INLET FLANGE, DRILLED
TO SUIT ANSI - 150#

Ø 7/8" X 2" LG SLOTS
4 PLCS

46" BRACKET
TO
BRACKET



TOP VIEW
SCALE 0.040



BOTTOM VIEW
SCALE 0.040

NOTES:

1. MATERIAL CARBON STEEL.
2. SILENCER IS DESIGNED TO SUPPORT OWN WEIGHT ONLY.
3. STANDARD MAXIM CONSTRUCTION TOLERANCE APPLY ±1/4".
4. ALL WELDED CONSTRUCTION.
5. DRAWING SUBJECT TO CHANGE WITHOUT NOTICE.

REV. NO.	REV. BY	MM/DD/YY	DATE	DESCRIPTION
XX	XX	MM/DD/YY	DATE	XXXXXXXXXXXXXX
ALL DIMENSIONS IN INCHES UNLESS OTHERWISE SPECIFIED.				DRAWING TYPE: SALES
TOLERANCES APPLY ON CRITICAL DIMENSION(S) AS SHOWN BELOW: ±1/4" IMP FRAC; ±0.25 IMP DEC ±0.35 MM METRIC; ±2° ANGULAR				DRAWN BY: AS DATE: 10/6/17
DIM HOLD - CRITICAL DIMENSION				APPROVED BY: DATE:
THE INFORMATION HEREIN IS THE PROPERTY OF MAXIM SILENCERS. TRANSMITTAL TO OTHERS OR USE EXCEPT THAT FOR WHICH IT IS PROVIDED IS STRICTLY PROHIBITED. DO NOT SCALE DRAWING.				REF #: 03 EST. WEIGHT: 600 LBS MAXIM MODEL NO.: MR62-6C1-SB DRAWING NO.: STANDARD REV: 00
THIRD ANGLE PROJECTION				ORDER: SHIP DATE: PROJECT/SALES ORDER NO. EXTERNAL FINISH: HT BLACK PAINT SHEET: 1 OF 1



10635 Brighton Lane
Stafford, TX 77477
PH (832) 554-0980
FX (832) 554-0990
www.maximsilencers.com

TITLE: SILENCER, ENCLOSURE, THIN LINE, EXTREME GRADE