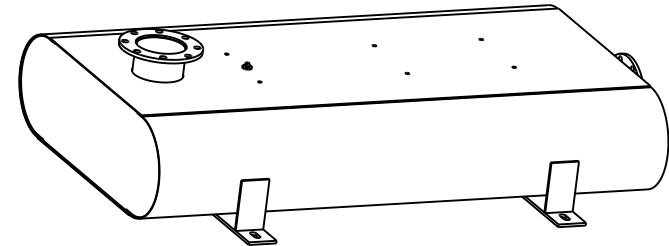
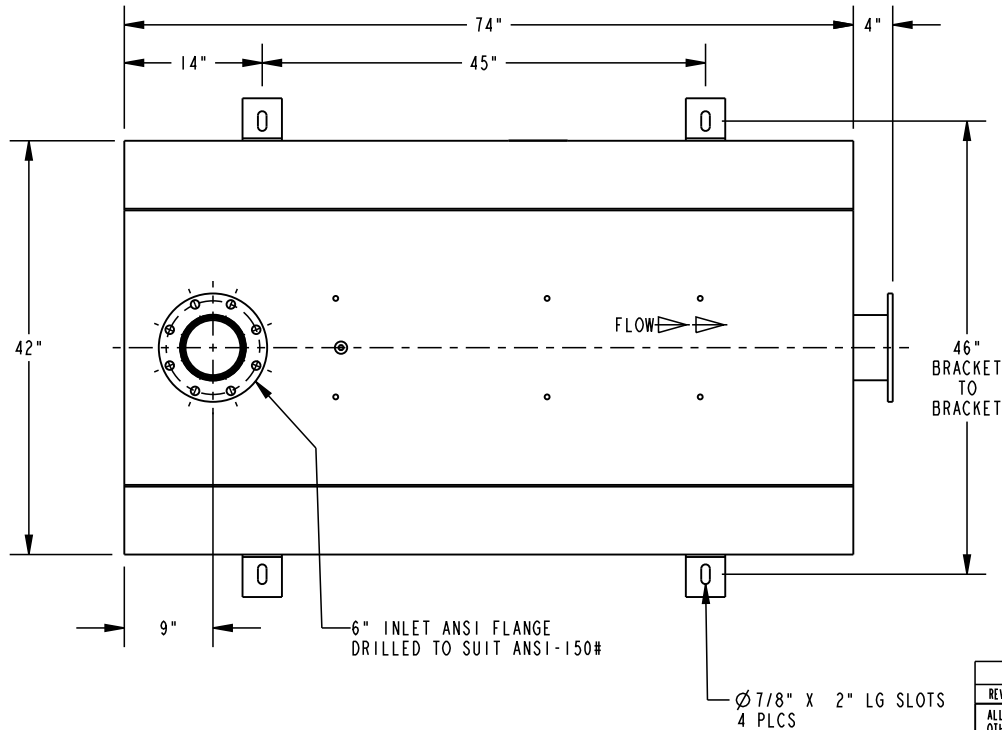


TOP VIEW  
SCALE 0.040



BOTTOM VIEW  
SCALE 0.040

| REV. NO.                                                                                                                                                                           | REV. BY | MM/DD/YY | DATE | DESCRIPTION                                             |                                                                                                                                      |
|------------------------------------------------------------------------------------------------------------------------------------------------------------------------------------|---------|----------|------|---------------------------------------------------------|--------------------------------------------------------------------------------------------------------------------------------------|
| XX                                                                                                                                                                                 | XX      | MM/DD/YY | DATE | XXXXXXXXXXXXXX                                          |                                                                                                                                      |
| ALL DIMENSIONS IN INCHES UNLESS OTHERWISE SPECIFIED.<br>TOLERANCES APPLY ON CRITICAL DIMENSION(S) AS SHOWN BELOW:<br>±1/4" IMP FRAC; ±0.25 IMP DEC<br>±0.35 MM METRIC; ±2° ANGULAR |         |          |      | DRAWING TYPE:<br>SALES<br>DRAWN BY: CM<br>DATE: 4/12/18 | <br>10635 Brighton Lane<br>Stafford, TX 77477<br>PH (832) 554-0980<br>FX (832) 554-0990<br>www.maximsilencers.com                    |
| DIM HOLD - CRITICAL DIMENSION                                                                                                                                                      |         |          |      | APPROVED BY: _____<br>DATE: _____                       | TITLE: SILENCER, ENCLOSURE, THIN LINE, EXTREME GRADE                                                                                 |
| THE INFORMATION HEREIN IS THE PROPERTY OF MAXIM SILENCERS. TRANSMITTAL TO OTHERS OR USE EXCEPT THAT FOR WHICH IT IS PROVIDED IS STRICTLY PROHIBITED. DO NOT SCALE DRAWING.         |         |          |      | REF #: 03<br>EST. WEIGHT: 703 LBS<br>ORDER: _____       | MAXIM MODEL NO.: MR62-6CF-ST<br>DRAWING NO.: STANDARD<br>REV: 00<br>PROJECT/SALES ORDER NO. _____<br>EXTERNAL FINISH: HT BLACK PAINT |
| THIRD ANGLE PROJECTION                                                                                                                                                             |         |          |      |                                                         | SHEET: 1 OF 1                                                                                                                        |

NOTES:

1. MATERIAL CARBON STEEL.
2. SILENCER IS DESIGNED TO SUPPORT OWN WEIGHT ONLY.
3. STANDARD MAXIM CONSTRUCTION TOLERANCE APPLY ±1/4".
4. ALL WELDED CONSTRUCTION.
5. DRAWING SUBJECT TO CHANGE WITHOUT NOTICE.