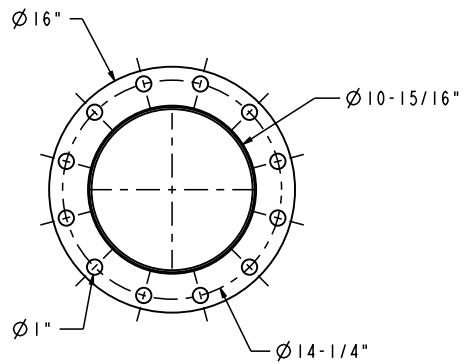
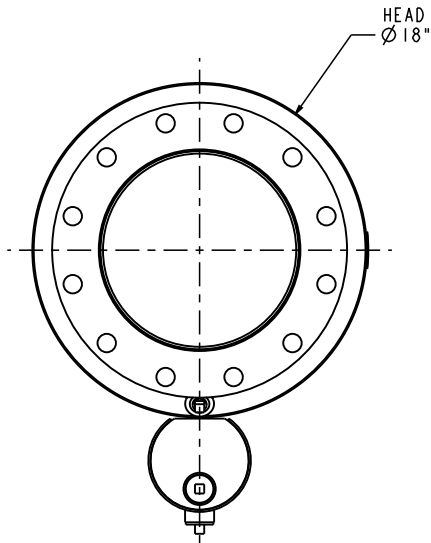
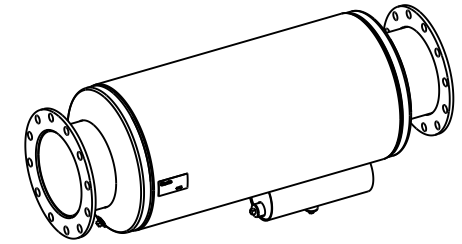


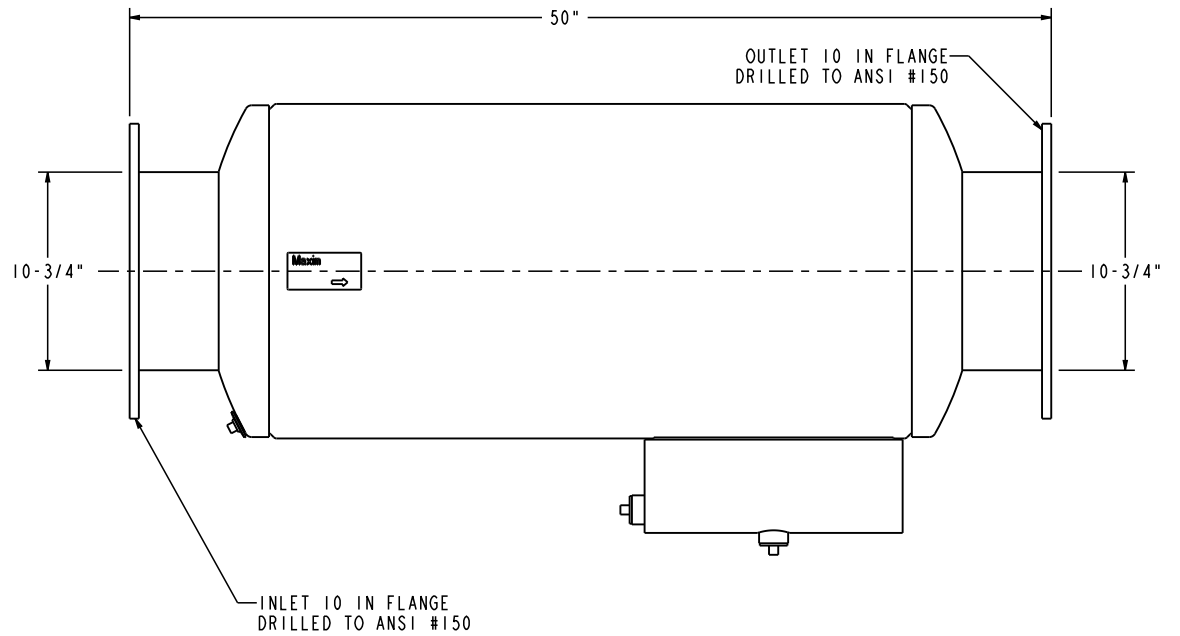
INLET



OUTLET



VIEW FROM INLET END



NOTES:

1. MATERIAL CARBON STEEL.
2. SILENCER IS DESIGNED TO SUPPORT OWN WEIGHT ONLY.
3. STANDARD MAXIM CONSTRUCTION TOLERANCE APPLY ($\pm 1/4"$).
4. ALL WELDED CONSTRUCTION.
5. DRAWING SUBJECT TO CHANGE WITHOUT NOTICE.

XX	XX	MM/DD/YY	XXXXXXXXXXXXXX
REV. NO.	REV. BY	DATE	DESCRIPTION
ALL DIMENSIONS IN INCHES UNLESS OTHERWISE SPECIFIED. TOLERANCES APPLY ON CRITICAL DIMENSION(S) AS SHOWN BELOW: $\pm 1/4"$ IMP FRAC; ± 0.25 IMP DEC ± 0.35 MM METRIC; $\pm 2^\circ$ ANGULAR			DRAWING TYPE: SALES DRAWN BY: CM DATE: 6/21/17
DIM HOLD - CRITICAL DIMENSION THE INFORMATION HEREIN IS THE PROPERTY OF MAXIM SILENCERS. TRANSMITTAL TO OTHERS OR USE EXCEPT THAT FOR WHICH IT IS PROVIDED IS STRICTLY PROHIBITED. DO NOT SCALE DRAWING.			APPROVED BY: [Signature] DATE: [Date] TITLE: SILENCER INDUSTRIAL GRADE SPARK ARRESTOR 10 MSA10 C ST
REF #:	12	EST. WEIGHT:	137 LBS
MAXIM MODEL NO.:	MSA10-10C1	DRAWING NO.:	STANDARD
REV:	00	PROJECT/SALES ORDER NO.:	EXTERNAL FINISH: HT BLACK PAINT
THIRD ANGLE PROJECTION	[Symbol]	ORDER:	SHIP DATE:
		HT BLACK PAINT	SHEET: 1 OF 1



10635 Brighton Lane
 Stafford, TX, 77477
 PH (832) 554-0980
 FX (832) 554-0990
 www.maximsilencers.com