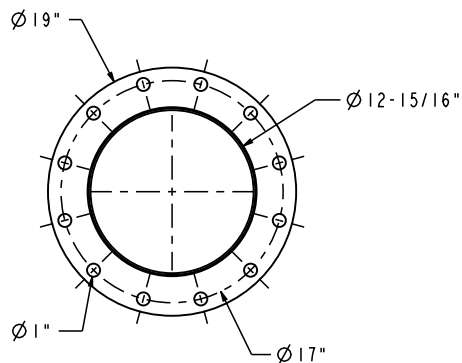
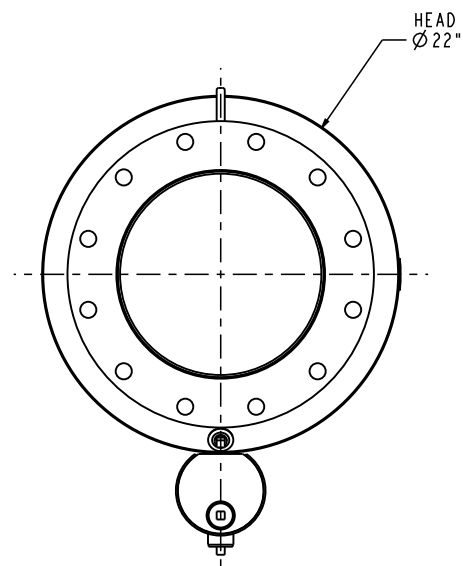
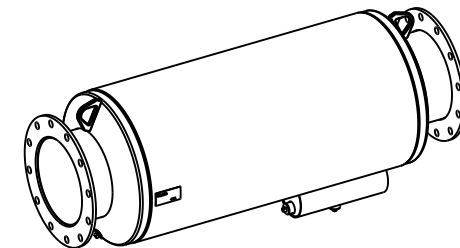


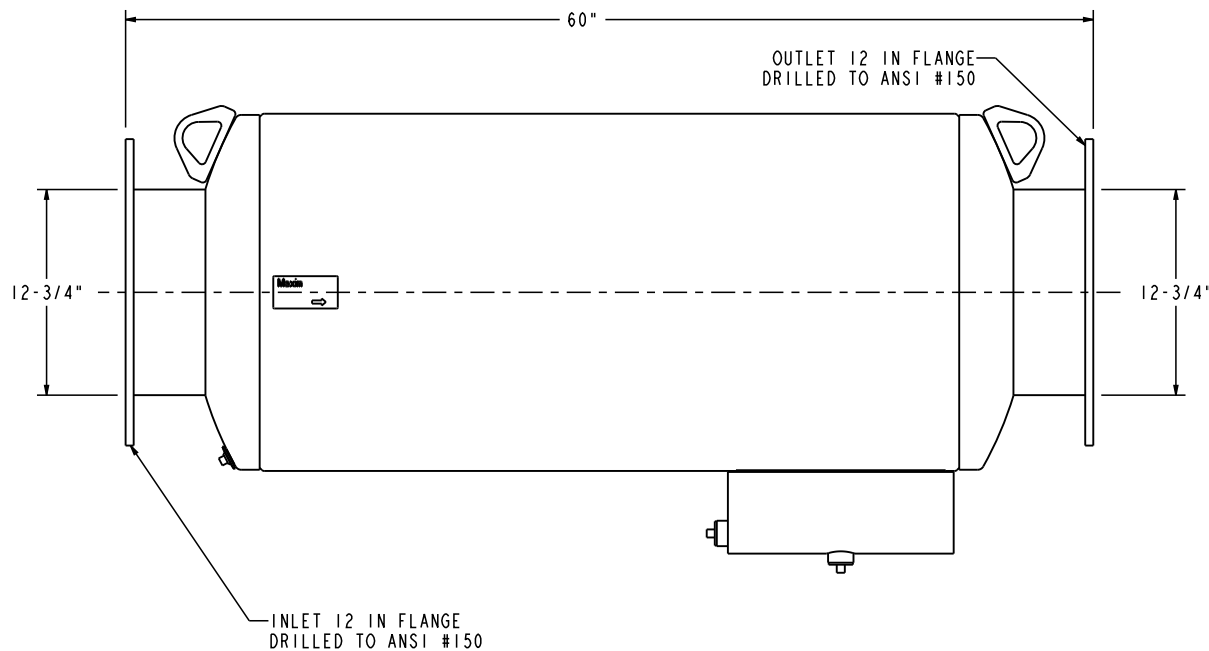
INLET



OUTLET



VIEW FROM INLET END



NOTES:

1. MATERIAL CARBON STEEL.
2. SILENCER IS DESIGNED TO SUPPORT OWN WEIGHT ONLY.
3. STANDARD MAXIM CONSTRUCTION TOLERANCE APPLY ($\pm 1/4"$).
4. ALL WELDED CONSTRUCTION.
5. DRAWING SUBJECT TO CHANGE WITHOUT NOTICE.

XX	XX	MM/DD/YY	XXXXXXXXXXXXXX						
REV. NO.	REV. BY	DATE	DESCRIPTION						
ALL DIMENSIONS IN INCHES UNLESS OTHERWISE SPECIFIED. TOLERANCES APPLY ON CRITICAL DIMENSION(S) AS SHOWN BELOW: $\pm 1/4"$ IMP FRAC; ± 0.25 IMP DEC ± 0.35 MM METRIC; $\pm 2^\circ$ ANGULAR			DRAWING TYPE: SALES DRAWN BY: CM DATE: 6/21/17	 10635 Brighton Lane Stafford, TX 77477 PH (832) 554-0980 FX (832) 554-0990 www.maximsilencers.com					
DIM HOLD - CRITICAL DIMENSION THE INFORMATION HEREIN IS THE PROPERTY OF MAXIM SILENCERS. TRANSMITTAL TO OTHERS OR USE EXCEPT THAT FOR WHICH IT IS PROVIDED IS STRICTLY PROHIBITED. DO NOT SCALE DRAWING.			APPROVED BY: [Signature] DATE: [Date]		TITLE: SILENCER INDUSTRIAL GRADE SPARK ARRESTOR 12 MSA10 C ST				
REF #:	12	EST. WEIGHT:	209 LBS	MAXIM MODEL NO.:	MSA10-12C1	DRAWING NO.:	STANDARD	REV:	00
THIRD ANGLE PROJECTION	ORDER:	SHIP DATE:	PROJECT/SALES ORDER NO.:	EXTERNAL FINISH:	HT BLACK PAINT	SHEET:	1 OF 1		