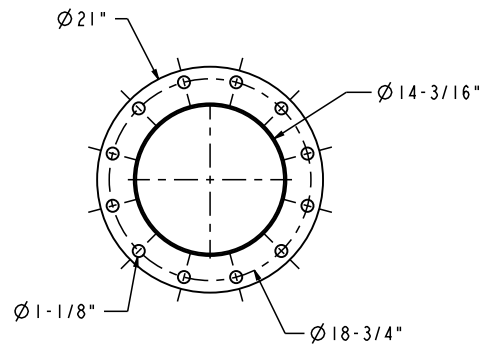
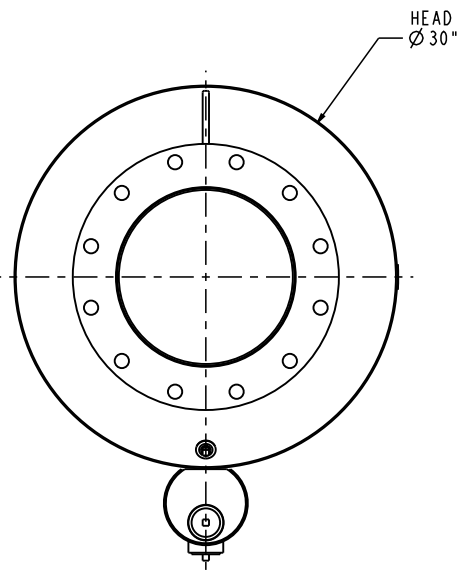
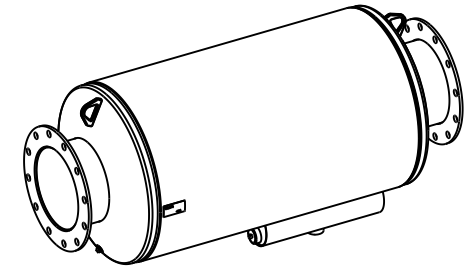


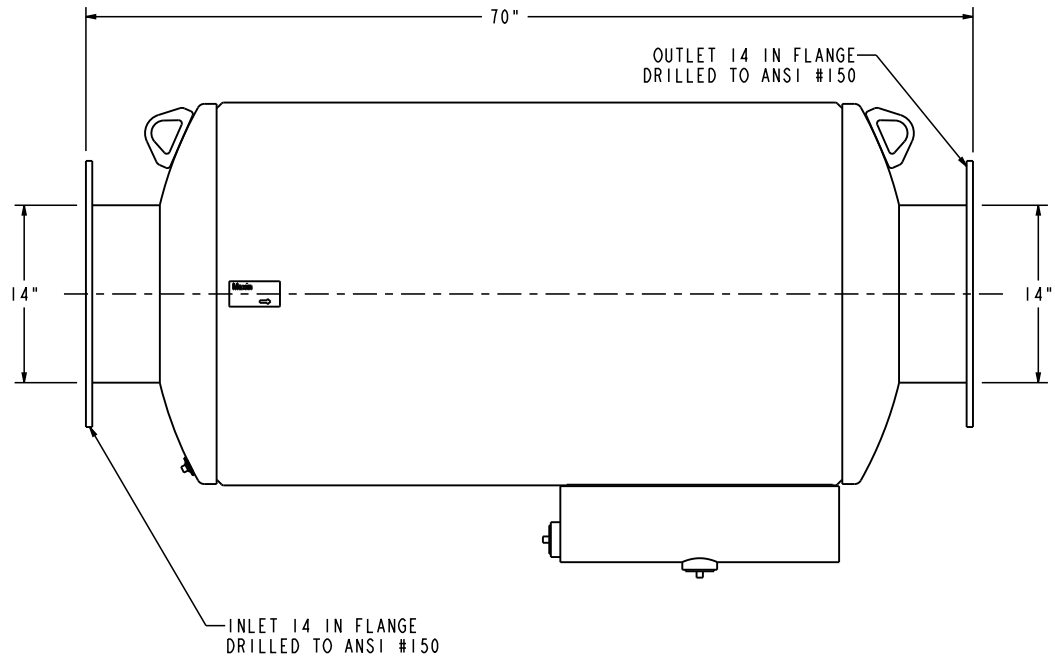
INLET



OUTLET




VIEW FROM INLET END



NOTES:

1. MATERIAL CARBON STEEL.
2. SILENCER IS DESIGNED TO SUPPORT OWN WEIGHT ONLY.
3. STANDARD MAXIM CONSTRUCTION TOLERANCE APPLY ( $\pm 1/4"$ ).
4. ALL WELDED CONSTRUCTION.
5. DRAWING SUBJECT TO CHANGE WITHOUT NOTICE.

XX	XX	MM/DD/YY	XXXXXXXXXXXXXX				
REV. NO.	REV. BY	DATE	DESCRIPTION				
ALL DIMENSIONS IN INCHES UNLESS OTHERWISE SPECIFIED.			DRAWING TYPE: SALES				
TOLERANCES APPLY ON CRITICAL DIMENSION(S) AS SHOWN BELOW: $\pm 1/4"$ IMP FRAC; $\pm 0.25$ IMP DEC $\pm 0.35$ MM METRIC; $\pm 2^\circ$ ANGULAR			 10635 Brighton Lane Stafford, TX 77477 PH (832) 554-0980 FX (832) 554-0990 www.maximsilencers.com				
DIM HOLD - CRITICAL DIMENSION			TITLE: SILENCER INDUSTRIAL GRADE SPARK ARRESTOR 14 MSA10 C ST				
THE INFORMATION HEREIN IS THE PROPERTY OF MAXIM SILENCERS. TRANSMITTAL TO OTHERS OR USE EXCEPT THAT FOR WHICH IT IS PROVIDED IS STRICTLY PROHIBITED. DO NOT SCALE DRAWING.			<table border="1"> <tr> <td>DRAWN BY: CM</td> <td>DATE: 6/21/17</td> </tr> <tr> <td>APPROVED BY:</td> <td>DATE:</td> </tr> </table>	DRAWN BY: CM	DATE: 6/21/17	APPROVED BY:	DATE:
DRAWN BY: CM	DATE: 6/21/17						
APPROVED BY:	DATE:						
REF #: 12	EST. WEIGHT: 418 LBS	MAXIM MODEL NO.: MSA10-14C1	DRAWING NO.: STANDARD				
THIRD ANGLE PROJECTION	ORDER:	SHIP DATE:	PROJECT/SALES ORDER NO.:				
			EXTERNAL FINISH: HT BLACK PAINT				
			REV: 00				
			SHEET: 1 OF 1				