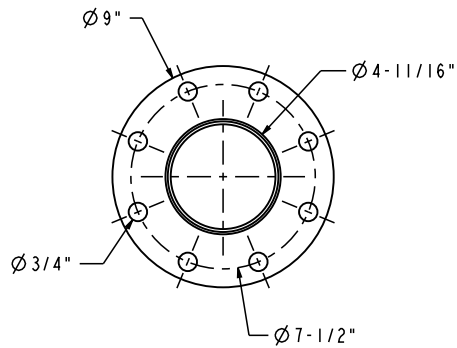
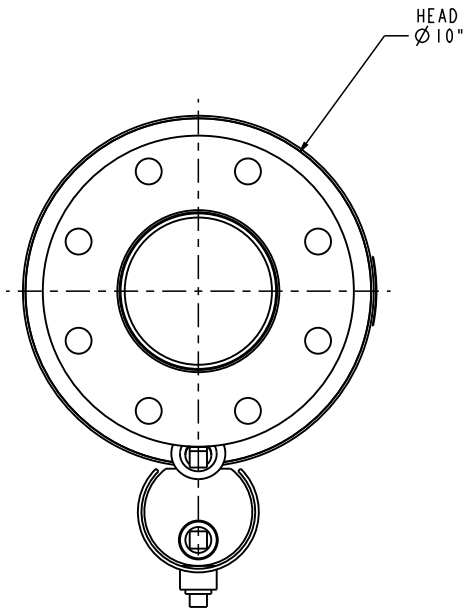
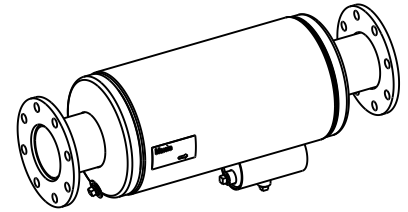


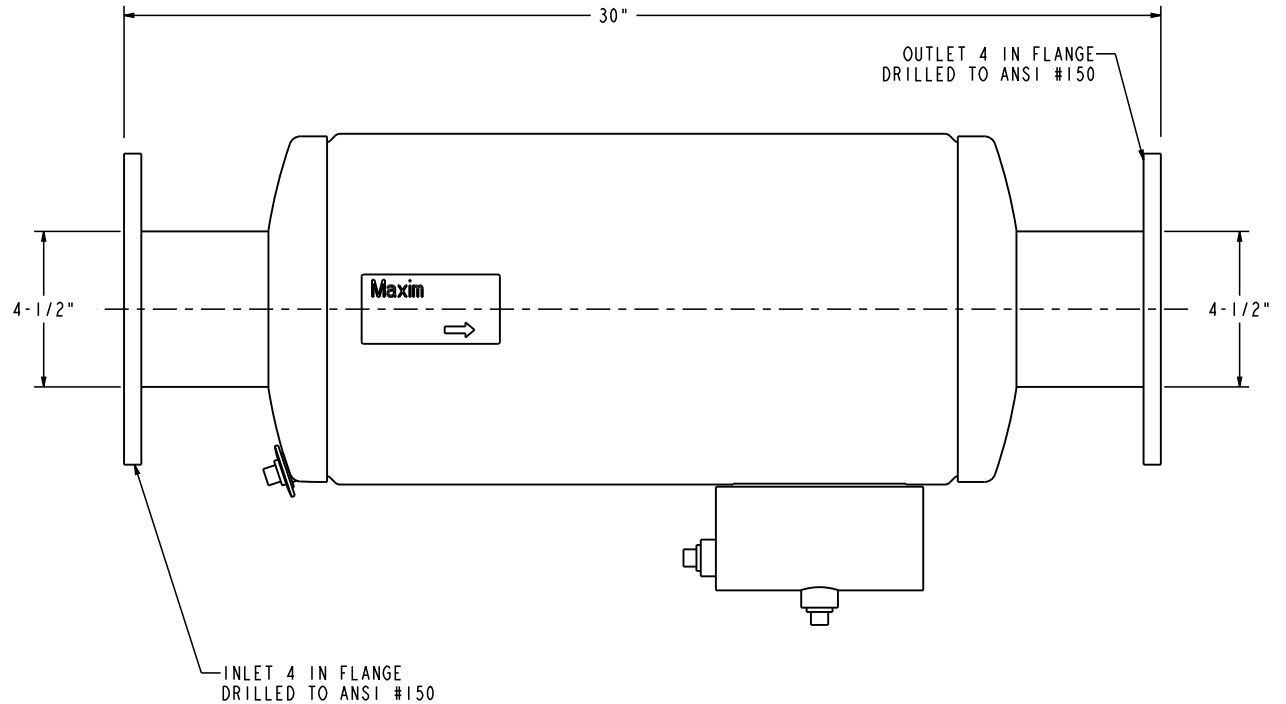
INLET



OUTLET



VIEW FROM INLET END



NOTES:

1. MATERIAL CARBON STEEL.
2. SILENCER IS DESIGNED TO SUPPORT OWN WEIGHT ONLY.
3. STANDARD MAXIM CONSTRUCTION TOLERANCE APPLY ($\pm 1/4"$).
4. ALL WELDED CONSTRUCTION.
5. DRAWING SUBJECT TO CHANGE WITHOUT NOTICE.

REV. NO.	REV. BY	MM/DD/YY	DATE	DESCRIPTION
XX	XX	MM/DD/YY	DATE	XXXXXXXXXXXXXXXX
ALL DIMENSIONS IN INCHES UNLESS OTHERWISE SPECIFIED. TOLERANCES APPLY ON CRITICAL DIMENSION(S) AS SHOWN BELOW: $\pm 1/4"$ IMP FRAC; ± 0.25 IMP DEC ± 0.35 MM METRIC; $\pm 2^\circ$ ANGULAR				DRAWING TYPE: SALES DRAWN BY: CM DATE: 6/21/17
DIM HOLD - CRITICAL DIMENSION THE INFORMATION HEREIN IS THE PROPERTY OF MAXIM SILENCERS. TRANSMITTAL TO OTHERS OR USE EXCEPT THAT FOR WHICH IT IS PROVIDED IS STRICTLY PROHIBITED. DO NOT SCALE DRAWING.				APPROVED BY: [Signature] DATE: [Date]
THIRD ANGLE PROJECTION				TITLE: SILENCER INDUSTRIAL GRADE SPARK ARRESTOR 4 MSA10 C ST
REF #:	12	EST. WEIGHT:	42 LBS	MAXIM MODEL NO.: MSA10-4C1 DRAWING NO.: STANDARD REV: 00
ORDER:		SHIP DATE:		PROJECT/SALES ORDER NO.: EXTERNAL FINISH: HT BLACK PAINT SHEET: 1 OF 1



10635 Brighton Lane
 Stafford, TX 77477
 PH (832) 554-0980
 FX (832) 554-0990
 www.maximsilencers.com