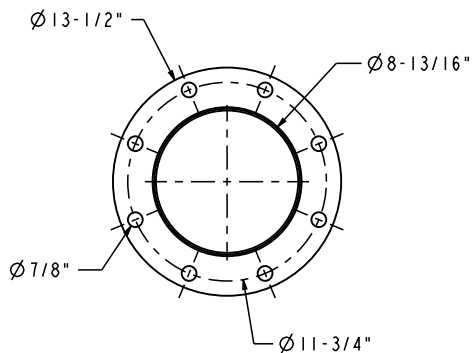
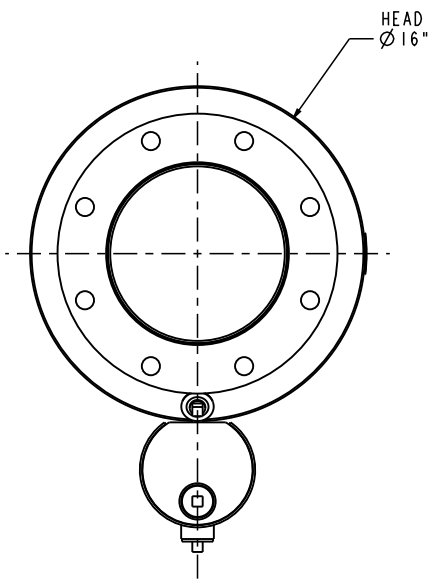
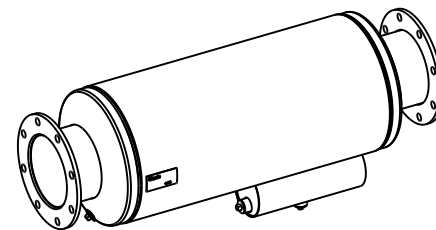


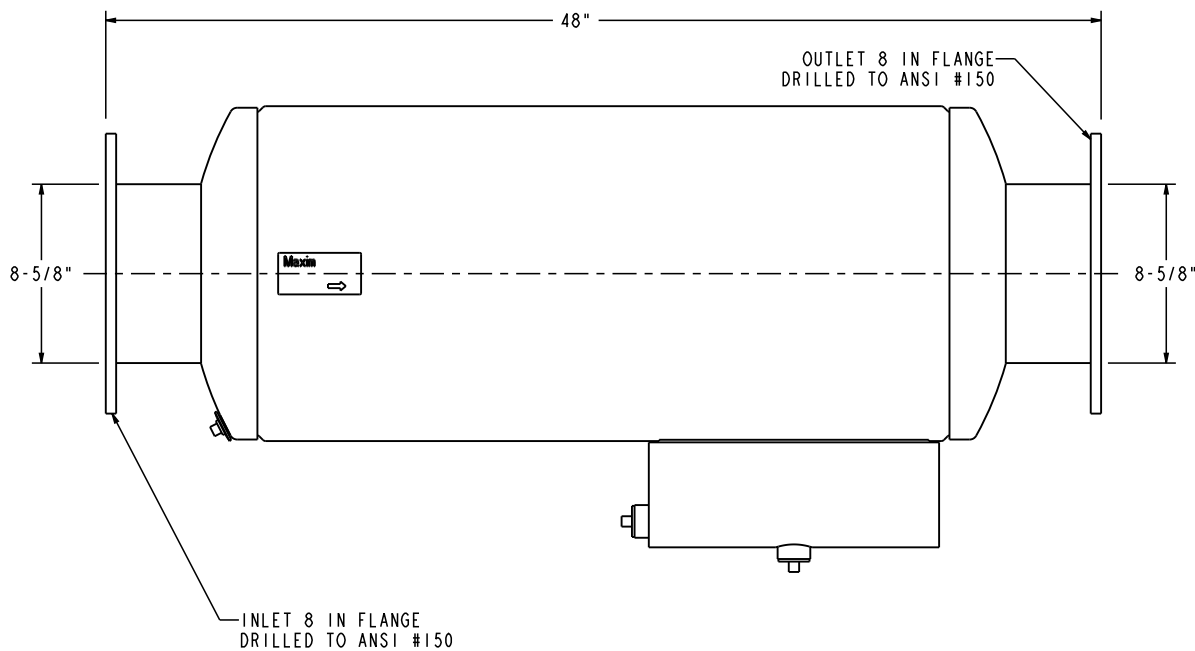
INLET



OUTLET




VIEW FROM INLET END



NOTES:

1. MATERIAL CARBON STEEL.
2. SILENCER IS DESIGNED TO SUPPORT OWN WEIGHT ONLY.
3. STANDARD MAXIM CONSTRUCTION TOLERANCE APPLY ( $\pm 1/4"$ ).
4. ALL WELDED CONSTRUCTION.
5. DRAWING SUBJECT TO CHANGE WITHOUT NOTICE.

XX	XX	MM/DD/YY	XXXXXXXXXXXXXX
REV. NO.	REV. BY	DATE	DESCRIPTION
ALL DIMENSIONS IN INCHES UNLESS OTHERWISE SPECIFIED.			DRAWING TYPE: SALES
TOLERANCES APPLY ON CRITICAL DIMENSION(S) AS SHOWN BELOW: $\pm 1/4"$ IMP FRAC; $\pm 0.25$ IMP DEC $\pm 0.35$ MM METRIC; $\pm 2^\circ$ ANGULAR			 10635 Brighton Lane Stafford, TX 77477 PH (832) 554-0980 FX (832) 554-0990 www.maximsilencers.com
DIM HOLD - CRITICAL DIMENSION			DRAWN BY: CM DATE: 6/21/17 APPROVED BY: DATE:
THE INFORMATION HEREIN IS THE PROPERTY OF MAXIM SILENCERS. TRANSMITTAL TO OTHERS OR USE EXCEPT THAT FOR WHICH IT IS PROVIDED IS STRICTLY PROHIBITED. DO NOT SCALE DRAWING.			TITLE: SILENCER INDUSTRIAL GRADE SPARK ARRESTOR 8 MSA10 C ST
REF #:	12	EST. WEIGHT:	107 LBS
MAXIM MODEL NO.:	MSA10-8C1	DRAWING NO.:	STANDARD
REV:	00	PROJECT/SALES ORDER NO.:	EXTERNAL FINISH:
THIRD ANGLE PROJECTION	ORDER:	SHIP DATE:	HT BLACK PAINT
		SHEET: 1 OF 1	