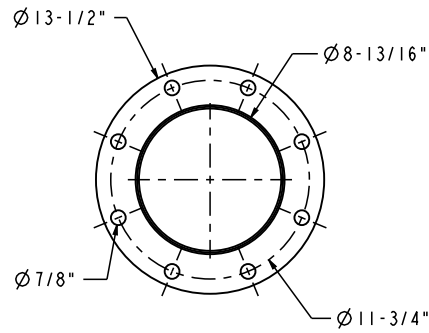
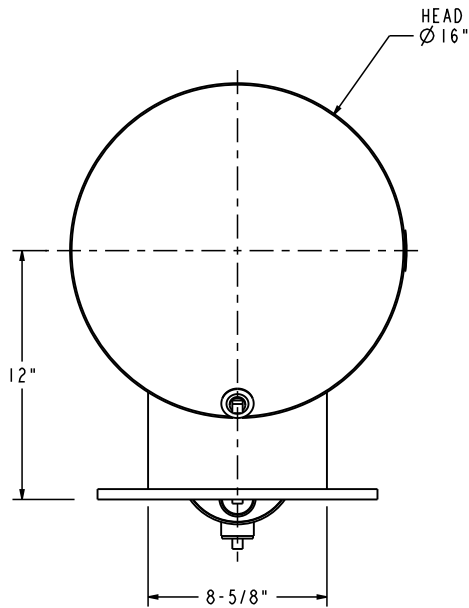
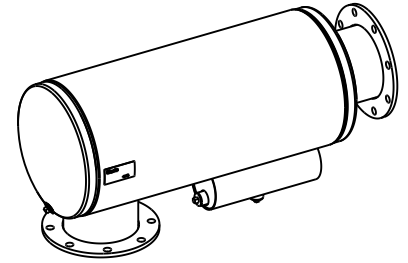


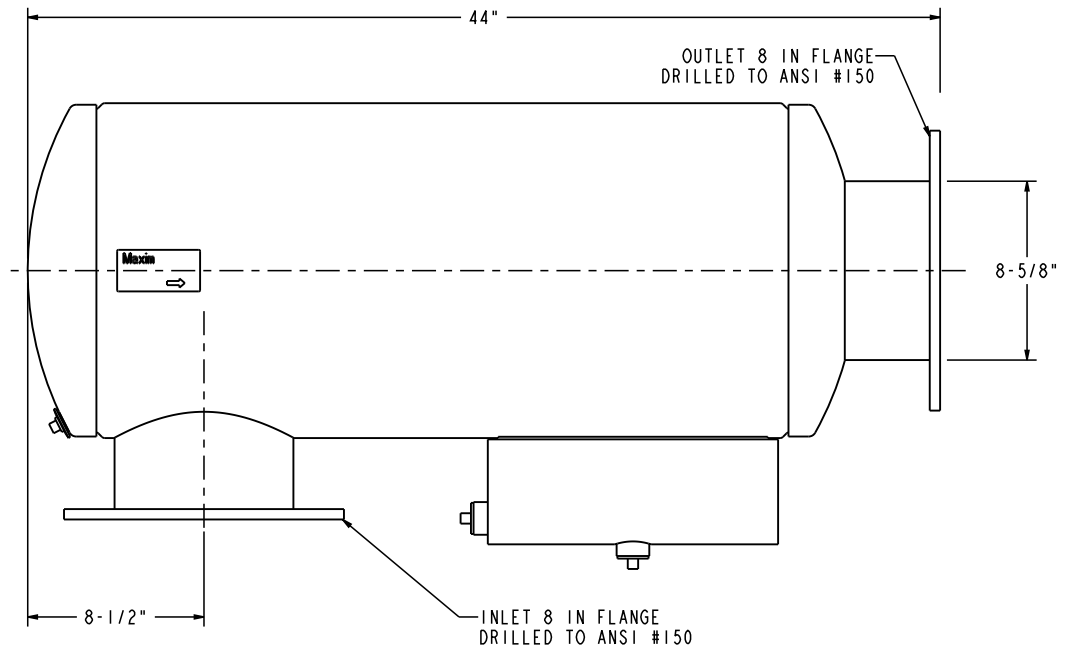
INLET



OUTLET



VIEW FROM INLET END



NOTES:

1. MATERIAL CARBON STEEL.
2. SILENCER IS DESIGNED TO SUPPORT OWN WEIGHT ONLY.
3. STANDARD MAXIM CONSTRUCTION TOLERANCE APPLY ( $\pm 1/4"$ ).
4. ALL WELDED CONSTRUCTION.
5. DRAWING SUBJECT TO CHANGE WITHOUT NOTICE.

XX	XX	MM/DD/YY	XXXXXXXXXXXXXX
REV. NO.	REV. BY	DATE	DESCRIPTION
ALL DIMENSIONS IN INCHES UNLESS OTHERWISE SPECIFIED. TOLERANCES APPLY ON CRITICAL DIMENSION(S) AS SHOWN BELOW: $\pm 1/4"$ IMP FRAC; $\pm 0.25$ IMP DEC $\pm 0.35$ MM METRIC; $\pm 2^\circ$ ANGULAR			DRAWING TYPE: SALES DRAWN BY: CM DATE: 6/21/17
DIM HOLD - CRITICAL DIMENSION THE INFORMATION HEREIN IS THE PROPERTY OF MAXIM SILENCERS. TRANSMITTAL TO OTHERS OR USE EXCEPT THAT FOR WHICH IT IS PROVIDED IS STRICTLY PROHIBITED. DO NOT SCALE DRAWING.			APPROVED BY: [Signature] DATE: [Date]
REF #:	EST. WEIGHT:	MAXIM MODEL NO.:	DRAWING NO.:
12	108 LBS	MSA10-8C2	STANDARD
THIRD ANGLE PROJECTION	ORDER:	SHIP DATE:	PROJECT/SALES ORDER NO.:
[Symbol]			EXTERNAL FINISH: HT BLACK PAINT
		TITLE: SILENCER INDUSTRIAL GRADE SPARK ARRESTOR 8 MSA10 C SI	REV: 00
		10635 Brighton Lane Stafford, TX, 77477 PH (832) 554-0980 FX (832) 554-0990 www.maximsilencers.com	
		SHEET: 1 OF 1	