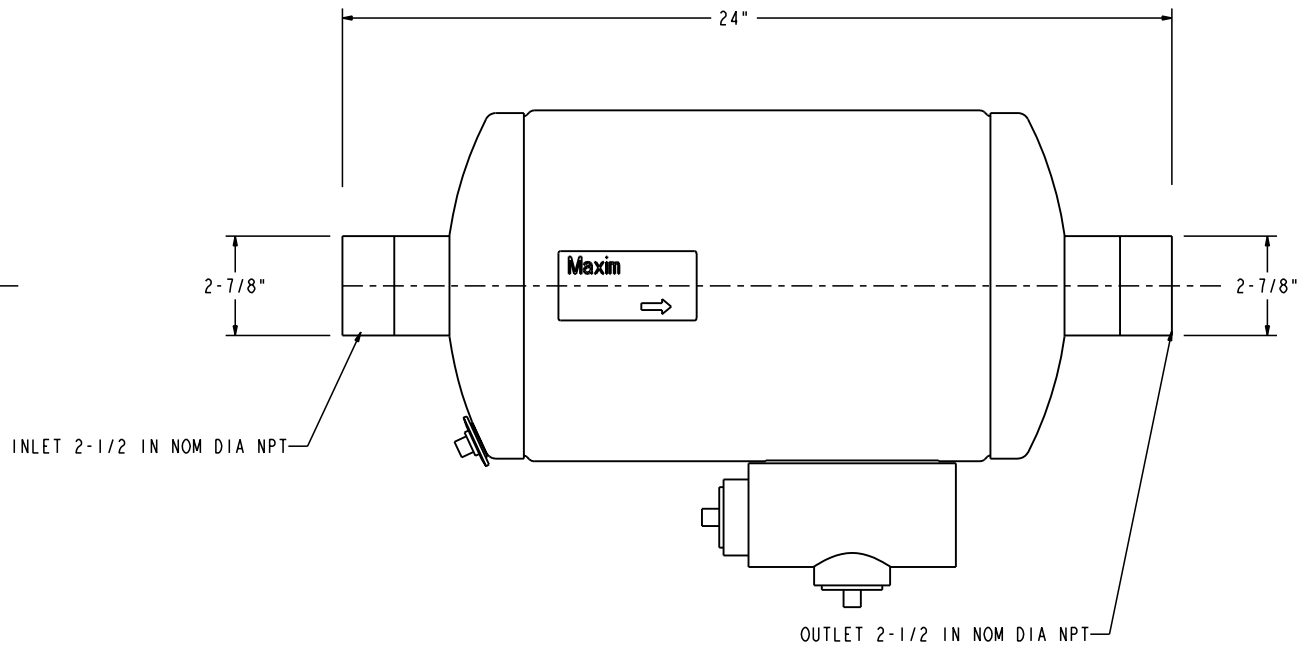




VIEW FROM INLET END



NOTES:

1. MATERIAL CARBON STEEL.
2. SILENCER IS DESIGNED TO SUPPORT OWN WEIGHT ONLY.
3. STANDARD MAXIM CONSTRUCTION TOLERANCE APPLY ($\pm 1/4"$).
4. ALL WELDED CONSTRUCTION.
5. DRAWING SUBJECT TO CHANGE WITHOUT NOTICE.

ALL DIMENSIONS IN INCHES UNLESS OTHERWISE SPECIFIED. TOLERANCES APPLY ON CRITICAL DIMENSIONS) AS SHOWN BELOW: $\pm 1/8"$ IMP FRAC; ± 0.125 IMP DEC ± 3.175 MM METRIC; $\pm 2^\circ$ ANGULAR	DRAWING TYPE: SALES			Maxim Silencers, Inc. 10635 Brighton Lane Stafford, TX 77477 PH (832) 554-0980 FX (832) 554-0990 www.Maximsilencers.com	
	DRAWN BY: RD	DATE: 07/15/09		TITLE: SILENCER RESIDENTIAL GRADE SPARK ARRESTOR 2.5 MS111 C ST	
DIM HOLD - CRITICAL DIMENSION	APPROVED BY:	DATE:	REF #: 1		EST. WEIGHT: 28 LBS
THE INFORMATION HEREIN IS THE PROPERTY OF MAXIM SILENCERS INC. TRANSMITTAL TO OTHERS OR USE EXCEPT THAT FOR WHICH IT IS PROVIDED IS STRICTLY PROHIBITED. DO NOT SCALE DRAWING.			ORDER:	SHIP DATE:	DRAWING NO.: MSA11-25C1
THIRD ANGLE PROJECTION		PROJECT/WORK ORDER NO.:	EXTERNAL FINISH: HT BLACK PAINT	SHEET: 1 OF 1	REV: 00