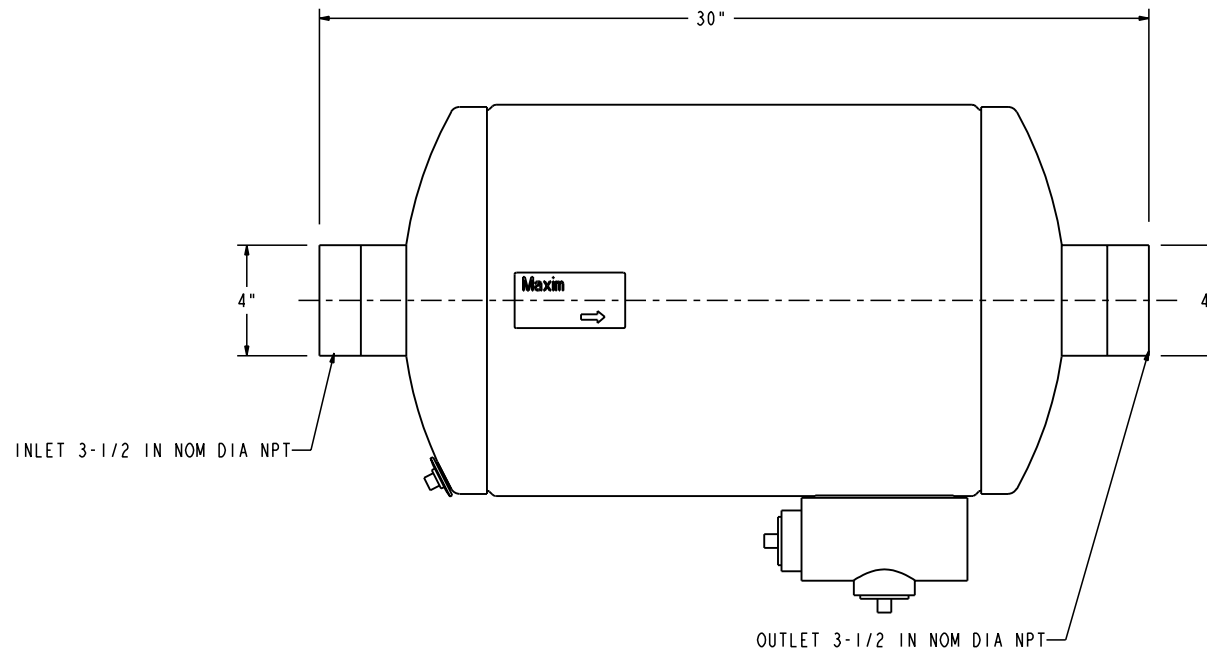




VIEW FROM INLET END



NOTES:

1. MATERIAL CARBON STEEL.
2. SILENCER IS DESIGNED TO SUPPORT OWN WEIGHT ONLY.
3. STANDARD MAXIM CONSTRUCTION TOLERANCE APPLY ($\pm 1/4"$).
4. ALL WELDED CONSTRUCTION.
5. DRAWING SUBJECT TO CHANGE WITHOUT NOTICE.

ALL DIMENSIONS IN INCHES UNLESS OTHERWISE SPECIFIED. TOLERANCES APPLY ON CRITICAL DIMENSIONS) AS SHOWN BELOW: $\pm 1/8"$ IMP FRAC; ± 0.125 IMP DEC ± 3.175 MM METRIC; $\pm 2^\circ$ ANGULAR	DRAWING TYPE: SALES			Maxim Silencers, Inc. 10635 Brighton Lane Stafford, TX 77477 PH (832) 554-0980 FX (832) 554-0990 www.Maximsilencers.com	
	DRAWN BY: RD	DATE: 07/15/09		TITLE: SILENCER RESIDENTIAL GRADE SPARK ARRESTOR 3.5 MSA11 C ST	
DIM HOLD - CRITICAL DIMENSION	APPROVED BY:	DATE:	DRAWING NO.: MSA11-35C1		PROJECT/WORK ORDER NO.:
THE INFORMATION HEREIN IS THE PROPERTY OF MAXIM SILENCERS INC. TRANSMITTAL TO OTHERS OR USE EXCEPT THAT FOR WHICH IT IS PROVIDED IS STRICTLY PROHIBITED. DO NOT SCALE DRAWING.	REF #: 1	EST. WEIGHT: 55 LBS	ORDER:		SHIP DATE:
THIRD ANGLE PROJECTION			PROJECT/WORK ORDER NO.:		EXTERNAL FINISH: HT BLACK PAINT
			SHEET: 1 OF 1		