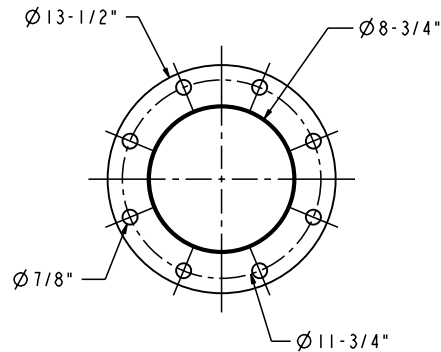
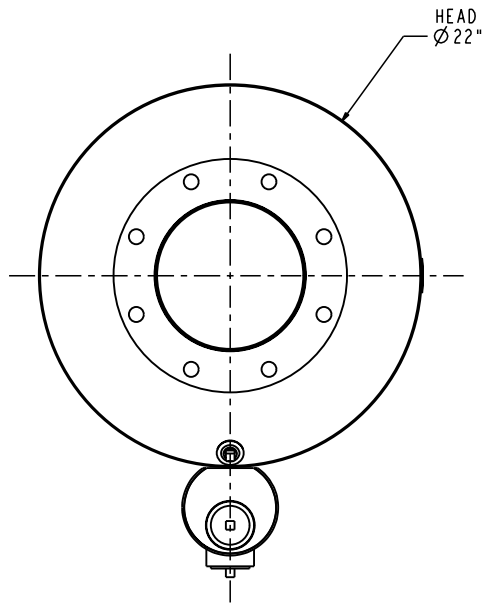
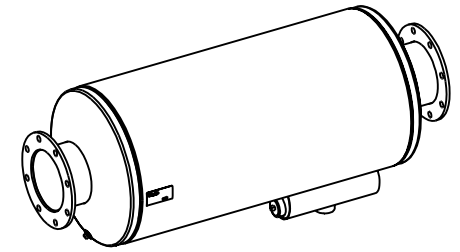


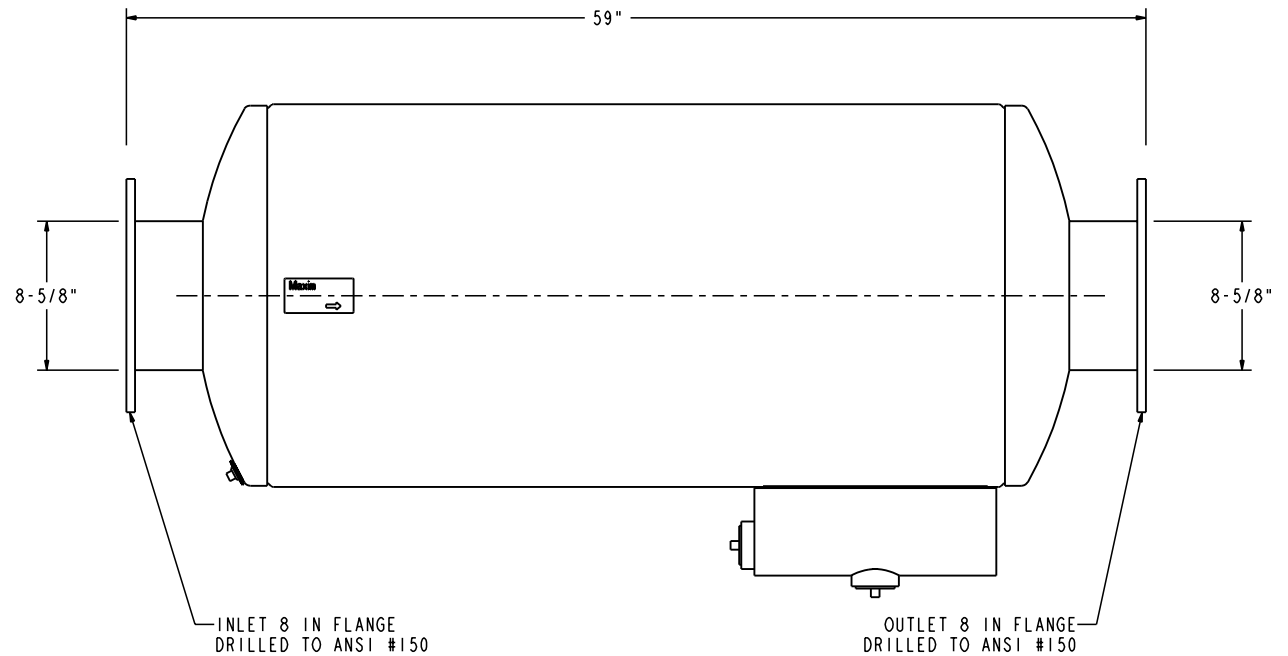
INLET



OUTLET



VIEW FROM INLET END



NOTES:

1. MATERIAL CARBON STEEL.
2. SILENCER IS DESIGNED TO SUPPORT OWN WEIGHT ONLY.
3. STANDARD MAXIM CONSTRUCTION TOLERANCE APPLY ( $\pm 1/4"$ ).
4. ALL WELDED CONSTRUCTION.
5. DRAWING SUBJECT TO CHANGE WITHOUT NOTICE.

ALL DIMENSIONS IN INCHES UNLESS OTHERWISE SPECIFIED. TOLERANCES APPLY ON CRITICAL DIMENSIONS AS SHOWN BELOW: $\pm 1/8"$ IMP FRAC; $\pm 0.125$ IMP DEC $\pm 3.175$ MM METRIC; $\pm 2^\circ$ ANGULAR	DRAWING TYPE: SALES			Maxim Silencers, Inc. 10635 Brighton Lane Stafford, TX 77477 PH (832) 554-0980 FX (832) 554-0990 www.Maximsilencers.com	
	DRAWN BY: RD	DATE: 07/15/09		TITLE: SILENCER RESIDENTIAL GRADE SPARK ARRESTOR 8 MSA11 C ST	
<b>[DIM] HOLD - CRITICAL DIMENSION</b>	APPROVED BY:	DATE:	DRAWING NO.: <b>MSA11-8C1</b>		REV: 00
THE INFORMATION HEREIN IS THE PROPERTY OF MAXIM SILENCERS INC. TRANSMITTAL TO OTHERS OR USE EXCEPT THAT FOR WHICH IT IS PROVIDED IS STRICTLY PROHIBITED. DO NOT SCALE DRAWING.			REF #: 1	EST. WEIGHT: 178 LBS	PROJECT/WORK ORDER NO.:
THIRD ANGLE PROJECTION		ORDER:	SHIP DATE:	PROJECT/WORK ORDER NO.:	EXTERNAL FINISH: <b>HT BLACK PAINT</b>
				SHEET: 1 OF 1	