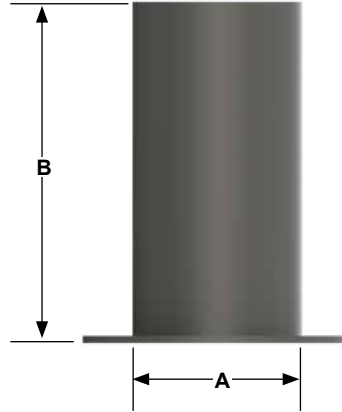


M-25 OUTLET EXTENSIONS

Assembled Tubing

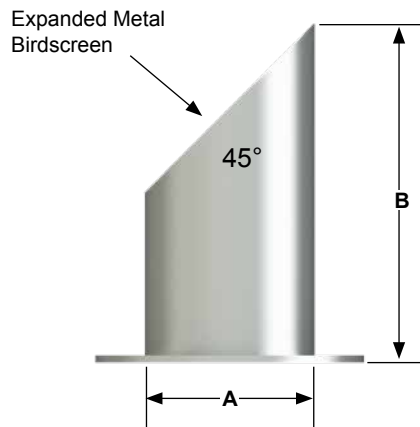
Straight Tube (Stacks), Flanged One End

Part Number	A (OD)	B
M-25-400-1	4	12
M-25-450-1	4.5	12
M-25-500-1	5	15
M-25-600-1	6	18
M-25-800-1	8	18
M-25-1000-1	10	20
M-25-1200-1	12	24
M-25-1400-1	14	28
M-25-1600-1	16	32
M-25-1800-1	18	36
M-25-2000-1	20	40
M-25-2200-1	22	44
M-25-2400-1	24	48
M-25-2600-1	26	48
M-25-2800-1	28	48
M-25-3000-1	30	48



Straight Tube, 45° Cut with Bird Screen

Part Number	A (OD)	B
M-25-400-2	4	12
M-25-450-2	4.5	12
M-25-500-2	5	15
M-25-600-2	6	18
M-25-800-2	8	18
M-25-1000-2	10	20
M-25-1200-2	12	24
M-25-1400-2	14	28
M-25-1600-2	16	32
M-25-1800-2	18	36
M-25-2000-2	20	40
M-25-2200-2	22	44
M-25-2400-2	24	48
M-25-2600-2	26	48
M-25-2800-2	28	48
M-25-3000-2	30	48



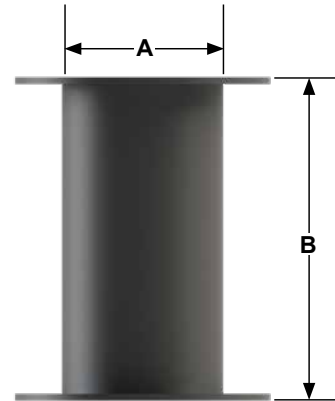
- All dimensions are in inches. All weights are in pounds. Weights are approximate.
- Other sizes available, call for details.
- Available in stainless steel.
- Connection(s) are ANSI steel plate flanges unless otherwise specified.

M-25 OUTLET EXTENSIONS

Assembled Tubing

Straight Tube, Flanged Both Ends

Part Number	Length	A (OD)	B	WT
M-25-11-400-12	12	4	12	16
M-25-11-450-12	12	4.5	12	16
M-25-11-500-15	15	5	15	23
M-25-11-600-18	18	6	18	25
M-25-11-800-18	18	8	18	38
M-25-11-1000-20	20	10	20	50
M-25-11-1200-24	24	12	24	72
M-25-11-1400-28	28	14	28	87
M-25-11-1600-32	32	16	32	108
M-25-11-1800-36	36	18	36	134
M-25-11-2000-40	40	20	40	166
M-25-11-2200-48	48	22	48	201
M-25-11-2400-48	48	24	48	226
M-25-11-2600-48	48	26	48	247
M-25-11-2800-48	48	28	48	268
M-25-11-3000-48	48	30	48	436



- All dimensions are in inches. All weights are in pounds. Weights are approximate.
- Other sizes available, call for details.
- Available in stainless steel.
- Connection(s) are ANSI steel plate flanges unless otherwise specified.