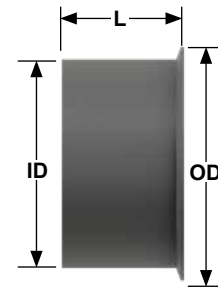


# M-36 to M-40 FLANGES

## Flared, Machine Turbo, and Engine Flanges

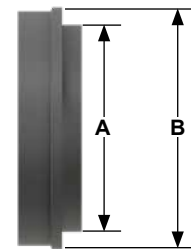
### Flared

| Part Number | ID  | OD   | Length | V-Band Clamp |
|-------------|-----|------|--------|--------------|
| M-36-300    | 3   | 3.63 | 1.5    | Call         |
| M-36-350    | 3.5 | 4.25 | 1.5    | Call         |
| M-36-JD-400 | 3.9 | 4.41 | 3      | 35-JD-400    |
| M-36-400    | 4   | 4.63 | 1.5    | 35-400       |
| M-36-500    | 5   | 5.75 | 3      | 35-500       |
| M-36-600    | 6   | 6.5  | 3      | Call         |



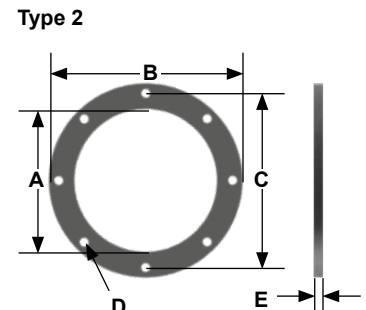
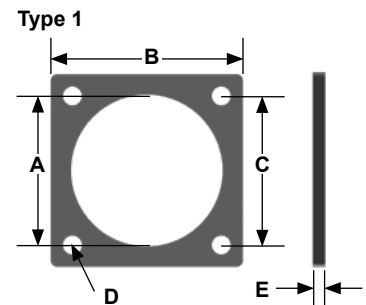
### Machined Turbo (From 1018 Heavy Wall Tubing)

| Part Number | Nom. Size | A   | B   | Clamp  | Application   |
|-------------|-----------|-----|-----|--------|---------------|
| M-37-450    | 5         | 4.5 | 5   | 35-450 | See Footnote† |
| M-37-550    | 6         | 5.3 | 6.2 | 35-550 | DA 16V2000    |



### Standard Engine (Caterpillar, MTU, Cummins)

| Part Number       | Engine | Type | A (ID) | B (OD) | C (BC) | D (DIA) | Holes | E (THK) | WT |
|-------------------|--------|------|--------|--------|--------|---------|-------|---------|----|
| M-38-340          | CAT    | 1    | 3      | 5.5    | 4.13   | 0.56    | 4     | 0.5     | 3  |
| M-38-400          | CAT    | 1    | 4.1    | 5.5    | 4.13   | 0.56    | 4     | 0.5     | 2  |
| M-38-500          | CAT    | 1    | 5.1    | 6.5    | 5      | 0.75    | 4     | 0.5     | 3  |
| M-38-600          | CAT    | 1    | 6.1    | 7.75   | 6      | 0.75    | 4     | 0.5     | 4  |
| M-38-800          | CAT    | 2    | 8.1    | 11     | 9.88   | 0.5     | 8     | 0.5     | 6  |
| M-38-1000         | CAT    | 2    | 10.1   | 13.5   | 12.44  | 0.5     | 12    | 0.5     | 9  |
| M-38-1000-3516ULB | CAT    | 2    | 10.13  | 14     | 12.6   | 0.56    | 12    | 0.5     | 10 |
| M-38-1200         | CAT    | 2    | 12.1   | 16     | 14.8   | 0.5     | 12    | 0.5     | 12 |
| M-38-1400         | CAT    | 2    | 14.2   | 18.5   | 16.93  | 0.63    | 12    | 0.5     | 15 |
| M-38-1800         | CAT    | 2    | 18.12  | 22.51  | 20.88  | 0.62    | 16    | 0.5     | 19 |
| M-39-600          | MTU    | 2    | 6.06   | 9.5    | 8.19   | 0.44    | 6     | 0.5     | 5  |
| M-39-800          | MTU    | 2    | 8.1    | 11     | 9.88   | 0.5     | 8     | 0.5     | 6  |
| M-39-1000         | MTU    | 2    | 10     | 13     | 11.88  | 0.63    | 8     | 0.5     | 7  |
| M-40-600          | CUM    | 2    | 6.1    | 8      | 7.19   | 0.44    | 8     | 0.5     | 3  |



- All dimensions are in inches. All weights are in pounds. Weights are approximate.
- Other sizes available, call for details.
- † 37-450 used on the following engines: Airesearch TV801, T1885, T18A40, All Schwitzer, DDA Turbo, and Cummins K.

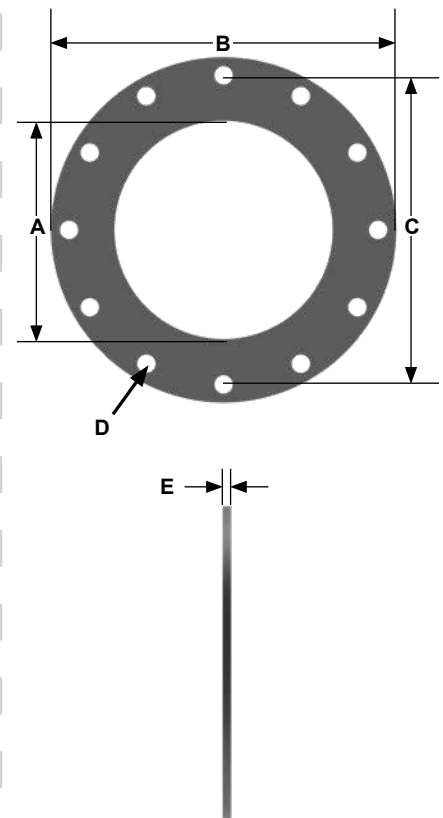


# M-41 FLANGES

## ANSI Pattern Flanges

### ANSI Pattern Steel Plate, Carbon Steel

| Part Number | Pipe/Tube | A (ID) | B (OD) | C (BC) | D (DIA) | Holes | E (THK) | WT   |
|-------------|-----------|--------|--------|--------|---------|-------|---------|------|
| M-41-T-200  | Tube      | 2.00   | 6.0    | 4.75   | 0.75    | 4     | 0.5     | 3.2  |
| M-41-P-200  | Pipe      | 2.38   | 6.0    | 4.75   | 0.75    | 4     | 0.5     | 3    |
| M-41-T-250  | Tube      | 2.50   | 7.0    | 5.50   | 0.75    | 4     | 0.5     | 4.2  |
| M-41-P-250  | Pipe      | 2.88   | 7.0    | 5.50   | 0.75    | 4     | 0.5     | 4    |
| M-41-T-300  | Tube      | 3.00   | 7.5    | 6.00   | 0.75    | 4     | 0.5     | 4.7  |
| M-41-P-300  | Pipe      | 3.50   | 7.5    | 6.00   | 0.75    | 4     | 0.5     | 5.2  |
| M-41-T-350  | Tube      | 3.50   | 8.5    | 7.00   | 0.75    | 8     | 0.5     | 5.5  |
| M-41-P-350  | Pipe      | 4.00   | 8.5    | 7.00   | 0.75    | 8     | 0.5     | 5.5  |
| M-41-400    | Tube      | 4.00   | 9.0    | 7.50   | 0.75    | 8     | 0.5     | 7    |
| M-41-450    | Pipe      | 4.50   | 9.0    | 7.50   | 0.75    | 8     | 0.5     | 6    |
| M-41-500    | Tube      | 5.00   | 10.0   | 8.50   | 0.88    | 8     | 0.5     | 7.5  |
| M-41-556    | Pipe      | 5.56   | 10.0   | 8.50   | 0.88    | 8     | 0.5     | 7    |
| M-41-600    | Tube      | 6.00   | 11.0   | 9.50   | 0.88    | 8     | 0.5     | 8.5  |
| M-41-663    | Pipe      | 6.63   | 11.0   | 9.50   | 0.88    | 8     | 0.5     | 7.5  |
| M-41-800    | Tube      | 8.00   | 13.5   | 11.75  | 0.88    | 8     | 0.5     | 12.5 |
| M-41-863    | Pipe      | 8.63   | 13.5   | 11.75  | 0.88    | 8     | 0.5     | 11   |
| M-41-1000   | Tube      | 10.00  | 16.0   | 14.25  | 1.00    | 12    | 0.5     | 18   |
| M-41-1075   | Pipe      | 10.75  | 16.0   | 14.25  | 1.00    | 12    | 0.5     | 17   |
| M-41-1200   | Tube      | 12.00  | 19.0   | 17.00  | 1.00    | 12    | 0.5     | 21   |
| M-41-1275   | Pipe      | 12.75  | 19.0   | 17.00  | 1.00    | 12    | 0.5     | 20   |
| M-41-1400   | Tube      | 14.10  | 21.0   | 18.75  | 1.13    | 12    | 0.5     | 24   |
| M-41-1600   | Tube      | 16.10  | 23.5   | 21.25  | 1.13    | 16    | 0.5     | 28   |
| M-41-1800   | Tube      | 18.10  | 25.0   | 22.75  | 1.25    | 16    | 0.5     | 30   |
| M-41-2000   | Tube      | 20.10  | 27.5   | 25.00  | 1.25    | 20    | 0.5     | 34   |
| M-41-2200   | Tube      | 22.10  | 29.5   | 27.25  | 1.38    | 20    | 0.5     | 36   |
| M-41-2400   | Tube      | 24.10  | 32.0   | 29.50  | 1.38    | 20    | 0.5     | 38   |
| M-41-2600   | Tube      | 26.10  | 34.3   | 31.75  | 1.38    | 24    | 0.5     | 43   |
| M-41-2800   | Tube      | 28.10  | 36.5   | 34.00  | 1.38    | 28    | 0.5     | 49   |
| M-41-3000   | Tube      | 30.10  | 38.8   | 36.00  | 1.38    | 28    | 0.5     | 55   |
| M-41-3600   | Tube      | 36.00  | 46.0   | 42.8   | 1.6     | 32    | 0.5     | 80   |



- All dimensions are in inches. All weights are in pounds. Weights are approximate.
- Other sizes available, call for details.

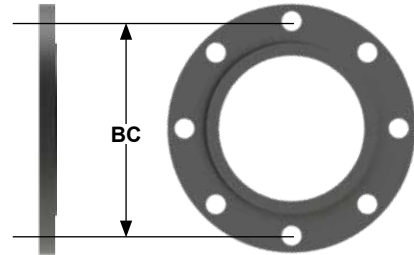
# M-45 to M-46 FLANGES

## Threaded Flat Face and Reducing / Increasing Flanges

### ANSI Threaded Flat Face

| Part Number | Thread Size | BC Diameter |
|-------------|-------------|-------------|
| M-45-150    | 1.5         | 3.9         |
| M-45-200    | 2           | 4.8         |
| M-45-250    | 2.5         | 5.5         |
| M-45-300    | 3           | 6.0         |
| M-45-350    | 3.5         | 7.0         |
| M-45-400    | 4           | 7.5         |
| M-45-500    | 5           | 8.5         |
| M-45-600    | 6           | 9.5         |
| M-45-800    | 8           | 11.8        |

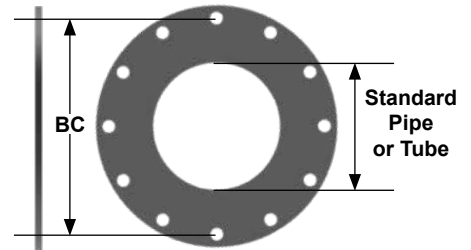
NPT Standard Pipe Threads.



### ANSI Reducing / Increasing

| Part Number<br>Pipe | Part Number<br>Tube | Reducing<br>Size | IPS<br>Size | BC<br>Diameter | WT |
|---------------------|---------------------|------------------|-------------|----------------|----|
| M-46-P-430          | M-46-T-430          | 4 x 3            | 3.0         | 7.50           | 8  |
| M-46-P-435          | M-46-T-435          | 4 x 3.5          | 3.5         | 7.50           | 8  |
| M-46-P-535          | M-46-T-535          | 5 x 3.5          | 3.5         | 8.50           | 9  |
| M-46-P-540          | M-46-T-540          | 5 x 4            | 4.0         | 8.50           | 9  |
| M-46-P-640          | M-46-T-640          | 6 x 4            | 4.0         | 9.50           | 11 |
| M-46-P-650          | M-46-T-650          | 6 x 5            | 5.0         | 9.50           | 10 |
| M-46-P-840          | M-46-T-840          | 8 x 6            | 4.0         | 11.75          | 18 |
| M-46-P-850          | M-46-T-850          | 8 x 5            | 5.0         | 11.75          | 17 |
| M-46-P-860          | M-46-T-860          | 8 x 6            | 6.0         | 11.75          | 16 |
| M-46-P-1060         | M-46-T-1060         | 10 x 6           | 6.0         | 14.25          | 23 |
| M-46-P-1080         | M-46-T-1080         | 10 x 8           | 8.0         | 14.25          | 19 |
| M-46-P-1280         | M-46-T-1280         | 12 x 8           | 8.0         | 17.00          | 32 |
| M-46-P-1210         | M-46-T-1210         | 12 x 10          | 10.0        | 17.00          | 28 |
| M-46-P-1480         | M-46-T-1480         | 14 x 8           | 8.0         | 18.75          | 39 |
| M-46-P-1410         | M-46-T-1410         | 14 x 10          | 10.0        | 18.75          | 36 |
| M-46-P-1412         | M-46-T-1412         | 14 x 12          | 12.0        | 18.75          | 31 |

Flanges (.50") thick carbon steel plate.



- All dimensions are in inches. All weights are in pounds. Weights are approximate.
- Other sizes available, call for details.
- Available in stainless steel.