

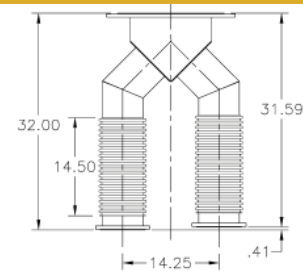
# M-13 WYES

## Cummins Engine Wyes

### Cummins QST 30

Part Number	Gen Set Model	Size	WT
M-13-3101	DQFAA 750 & DQFAB 800	6 X 6 X 10	57
M-13-3103	DQFAC 900	6 X 6 X 12	69
M-13-3104	DQFAD 1000	6 X 6 X 14	75

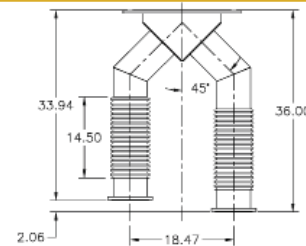
Floating Cummins flanged inlets. Floating ANSI flanged outlet.



### Cummins QSK 50 (6" Cummins Flanged Inlets)

Part Number	Gen Set Model	Size	WT
M-13-3201	DQKAA 1250	6 X 6 X 12	72
M-13-3202	DQKAB 1250 & 1500	6 X 6 X 14	78
M-13-3204	DQKAB 1500	8 X 8 X 14	91

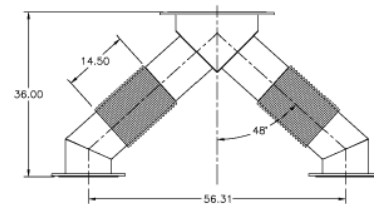
Floating Cummins flanged inlets. Floating ANSI flanged outlet.



### Cummins QSK 60

Part Number	Gen Set Model	Size	WT
M-13-3301	DQKAA 1750	10 X 10 X 14	157
M-13-3302	DQKAA 1750 & DQKAB 2000	10 X 10 X 16	162
M-13-3304	DQKAB 2000 & DQKH 2250	10 X 10 X 18	163
M-13-3305	DQKAB 2000 & DQKH 2250	10 X 10 X 20	176

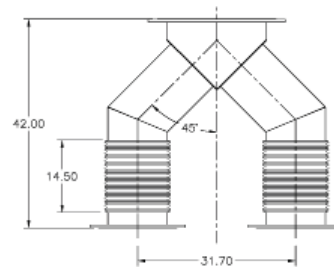
Floating ANSI flanged inlets and outlet, unless otherwise noted.



### Cummins QSK 78

Part Number	Gen Set Model	Size	WT
M-13-3401	DQLA 2700 & DQLC 2500	12 X 12 X 18	187
M-13-3402	DQLA 2700 & DQLC 2500	12 X 12 X 20	203
M-13-3403	DQLA 2700 & DQLC 2500	12 X 12 X 22	212
M-13-3404	DQLA 2700 & DQLC 2500	12 X 12 X 24	226

Floating ANSI flanged inlets and outlet, unless otherwise noted.



### Cummins QSK95

Part Number	Gen Set Model	Size	WT
M-13-3406	QSK95-69-3000	14 X 14 X 20	208
M-13-3405	QSK95-69-3000	14 X 14 X 22	250

Floating ANSI flanged inlets and outlet, unless otherwise noted.

PLEASE ENSURE FIT AND FUNCTION FOR WYE BEFORE ORDERING.

All dimensions are in inches. All weights are in pounds. Weights are approximate. Larger sizes available. All ANSI flanges may be replaced with a standard Caterpillar, Cummins, or MTU engine flanges. Wyes are carbon steel construction with 321 stainless steel corrugated flex hose. Connections available in stainless steel.

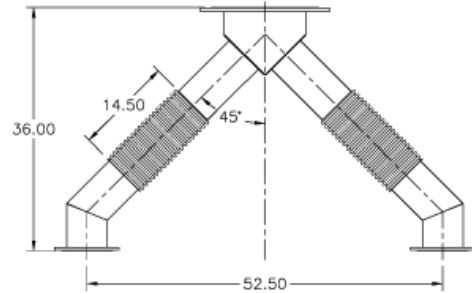
# M-14 WYES

## MTU Engine Wyes

### MTU 2000 Series (650-1000 DSEC, 12V-2000 & 16V-2000)

Part Number	kW	Size	WT
M-14-3131	650 & 750	6 X 6 X 10	70
M-14-3133	900 & 1000	6 X 6 X 12	82

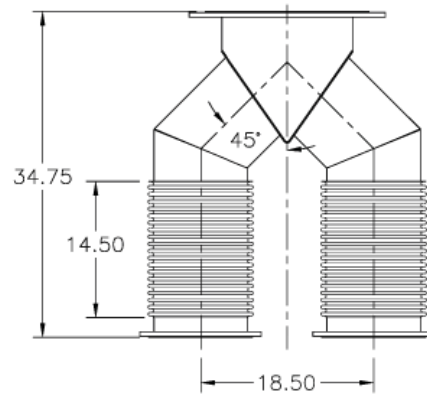
Floating 6" MTU flanged inlets. Floating ANSI flanged outlet.



### MTU 4000 Series (12V-4000)

Part Number	kW	Size	WT
M-14-3211	1250, 1350, 1500, & 1750	10 X 10 X 14	118
M-14-3212	1250, 1350, 1500, & 1750	10 X 10 X 16	127

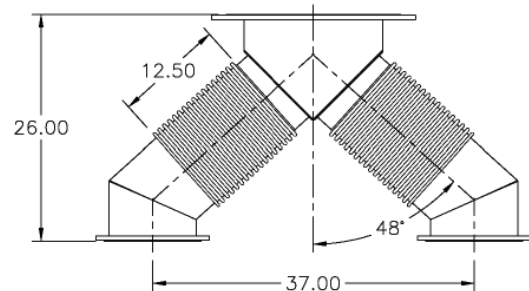
Floating 6" MTU flanged inlets. Floating ANSI flanged outlet.



### MTU 4000 Series (16V-4000)

Part Number	kW	Size	WT
M-14-3213	2000	10 X 10 X 16	117
M-14-3214	2000	10 X 10 X 18	118

Floating 6" MTU flanged inlets. Floating ANSI flanged outlet.



PLEASE ENSURE FIT AND FUNCTION FOR WYE BEFORE ORDERING.

All dimensions are in inches. All weights are in pounds. Weights are approximate. Larger sizes available. All ANSI flanges may be replaced with a standard Caterpillar, Cummins, or MTU engine flanges. Wyes are carbon steel construction with 321 stainless steel corrugated flex hose. Connections available in stainless steel.



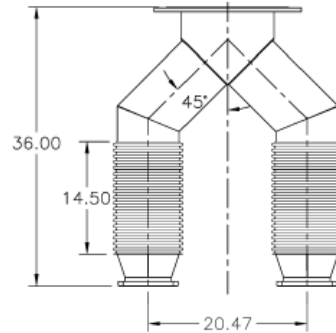
# M-15 WYES

## Caterpillar Engine Wyes

### Caterpillar 3508 B (6" CAT Flanged Inlets)

Part Number	kW	Size	WT
M-15-3501	910	8 X 8 X 12	90

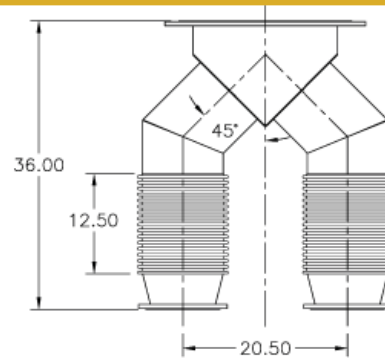
Floating CAT flanged inlets and floating ANSI flanged outlet, unless otherwise noted.



### Caterpillar 3512 C (8" CAT Flanged Inlets)

Part Number	kW	Size	WT
M-15-3512	1275, 1360 & 1400	8 X 8 X 14	102
M-15-3514	1360 & 1400	8 X 8 X 16	113
M-15-3517	1500	10 X 10 X 14	117
M-15-3518	1500	10 X 10 X 16	126

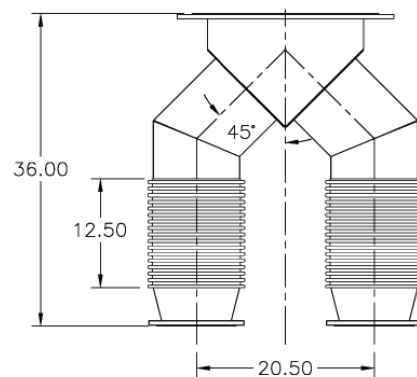
Floating CAT flanged inlets and floating ANSI flanged outlet, unless otherwise noted.



### Caterpillar 3516 C (8" CAT Flanged Inlets)

Part Number	kW	Size	WT
M-15-3551	1640, 1825 & 2000	10 X 10 X 16	126
M-15-3552	1640, 1825 & 2000	10 X 10 X 18	128

Floating CAT flanged inlets and floating ANSI flanged outlet, unless otherwise noted.



### Caterpillar 3516 Quad Turbo (8" CAT Flanged Inlets)

Part Number	kW	Size	WT
M-15-3571	1640	10 X 10 X 14	117
M-15-3551	1640 & 1750	10 X 10 X 16	126
M-15-3552	1750	10 X 10 X 18	128
M-15-3572	2000	10 x 10 x 20	140

Floating CAT flanged inlets and floating ANSI flanged outlet, unless otherwise noted.

PLEASE ENSURE FIT AND FUNCTION FOR WYE BEFORE ORDERING.

All dimensions are in inches. All weights are in pounds. Weights are approximate. Larger sizes available. All ANSI flanges may be replaced with a standard Caterpillar, Cummins, or MTU engine flanges. Wyes are carbon steel construction with 321 stainless steel corrugated flex hose. Connections available in stainless steel.