

# M-20 THIMBLES

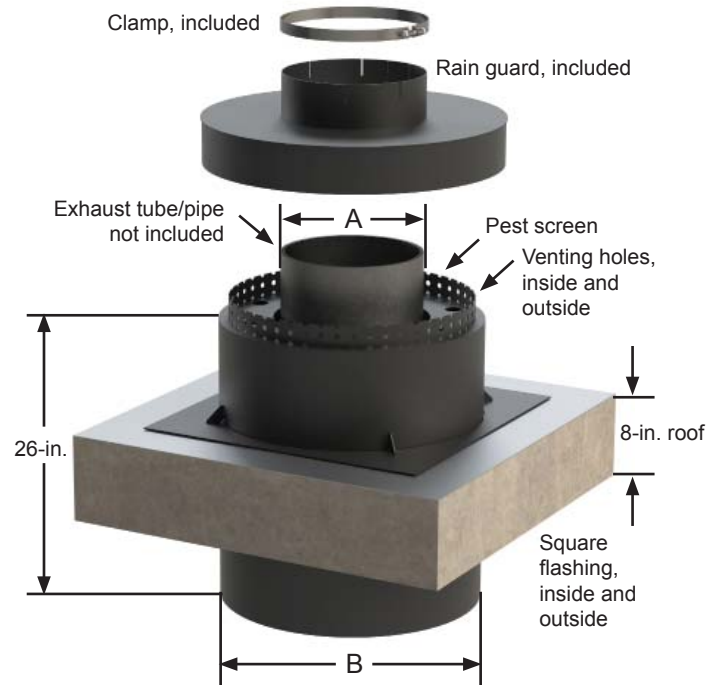
## Wall and Roof Thimbles

### Type A (Combustible Walls Only)

Part Number	A	B	WT
M-20-A-200	2	14	52
M-20-A-238	2.38	15	53
M-20-A-250	2.5	15	53
M-20-A-288	2.88	15	57
M-20-A-300	3	15	57
M-20-A-350	3.5	16	58
M-20-A-400	4	16	66
M-20-A-450	4.5	17	68
M-20-A-500	5	17	88
M-20-A-556	5.56	18	90
M-20-A-600	6	18	98
M-20-A-663	6.63	19	100
M-20-A-800	8	20	114
M-20-A-863	8.63	21	117
M-20-A-1000	10	22	130
M-20-A-1075	10.75	23	136
M-20-A-1200	12	24	146
M-20-A-1275	12.75	25	150
M-20-A-1400	14	26	159
M-20-A-1600	16	28	175
M-20-A-1800	18	30	218

### Type B (Roof & Non-Combustible Walls)

Part Number	A	B	WT
M-20-B-200	2	9	38
M-20-B-238	2.38	9	39
M-20-B-250	2.5	9	39
M-20-B-288	2.88	10	43
M-20-B-300	3	10	43
M-20-B-350	3.5	10	44
M-20-B-400	4	11	46
M-20-B-450	4.5	11	49
M-20-B-500	5	12	60
M-20-B-556	5.56	12	61
M-20-B-600	6	13	69
M-20-B-663	6.63	13	70
M-20-B-800	8	15	84
M-20-B-863	8.63	15	86
M-20-B-1000	10	17	104
M-20-B-1075	10.75	17	108
M-20-B-1200	12	19	117
M-20-B-1275	12.75	19	121
M-20-B-1400	14	20	131
M-20-B-1600	16	22	145
M-20-B-1800	18	26	180



### OD Measurement of Standard Schedule Pipe

Nominal Pipe Size	OD (Thimble "A" Dim)
2	2.38
2.5	2.88
3	3.50
4	4.50
5	5.56
6	6.63
8	8.63
10	10.75
12	12.75
14	14

"A" Dimension measures the outside diameter of the exhaust tube or pipe. See chart above for outside diameter of standard pipe.

All dimensions are in inches. All weights are in pounds. Weights are approximate. Carbon steel construction. Available in stainless steel. When calculating height thimble must have a 9" clearance on each side of the wall or roof. To prevent warping, outer flashing is not welded 100%. Be sure to include correct roof pitch on all roof applications. There is an additional charge for non-flat roof applications. Conforms to NFPA 37 and 110. Thimbles have been sized for standard (8") thick walls and roofs. Thermal barrier used within the thimbles is composed of high density, type "E" fibers, fibrous glass heavy-duty insulation. Please apply high-temp silicone caulking where needed. Pest Control Screen adds 2"-3" to exterior height.



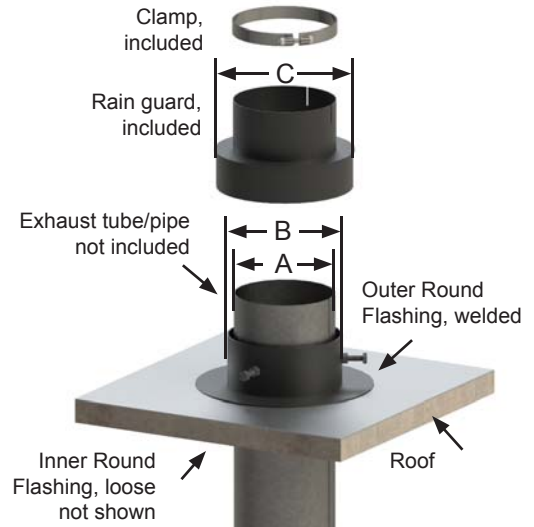
# M-21 ROOF JACKS

## Roofs Jacks

### Rainguards (Cuffed)

Part Number	A	B	C
M-21-C-400	4	5	7
M-21-C-450	4.5	5.5	7.5
M-21-C-500	5	6	8
M-21-C-556	5.56	6.5	8.5
M-21-C-600	6	7	9
M-21-C-663	6.63	7.8	10
M-21-C-800	8	9	11
M-21-C-863	8.63	9.8	12
M-21-C-1000	10	11	13
M-21-C-1075	10.75	12	14
M-21-C-1200	12	13	15
M-21-C-1275	12.75	14	16

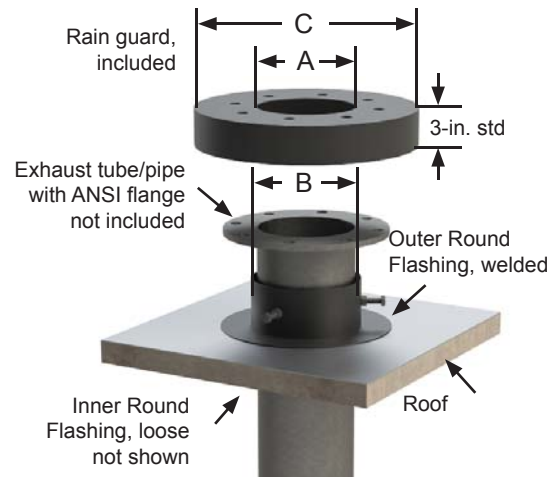
Clamp included. Roof jacks are designed for non-combustible metal enclosures only.



### Rainguards (Flanged)

Part Number	A	B	C
M-21-F-400	4	5	15
M-21-F-450	4.5	5.5	15
M-21-F-500	5	6	15
M-21-F-556	5.56	6.5	15
M-21-F-600	6	7	15
M-21-F-663	6.63	7.8	15
M-21-F-800	8	9	18
M-21-F-863	8.63	9.8	18
M-21-F-1000	10	11	20
M-21-F-1075	10.75	12	20
M-21-F-1200	12	13	24
M-21-F-1275	12.75	14	24

Roof jacks are designed for non-combustible metal enclosures only.



CAUTION: Roof jacks are designed for non-combustible metal enclosures only. Avoid potential fire hazard. Product should never be exposed to combustible material. DO NOT USE if combustible materials are present. Refer to Wall and Roof Thimbles for applications where combustible materials will come in contact with the product. All dimensions are in inches. Larger sizes available. Available in stainless steel.