

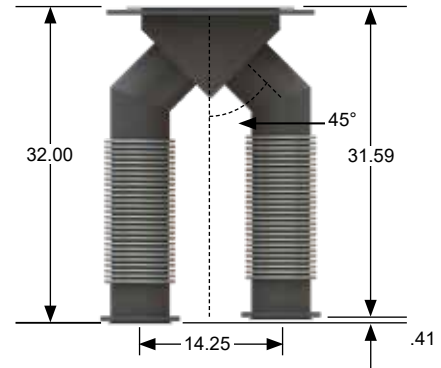
# M-13 WYES

## Cummins Engine Wyes

### Cummins QST 30

Part Number	Gen Set Model	Size	WT
M-13-3101	DQFAA 750 & DQFAB 800	6 X 6 X 10	57
M-13-3103	DQFAC 900	6 X 6 X 12	69
M-13-3104	DQFAD 1000	6 X 6 X 14	75

Floating Cummins flanged inlets. Floating ANSI flanged outlet.

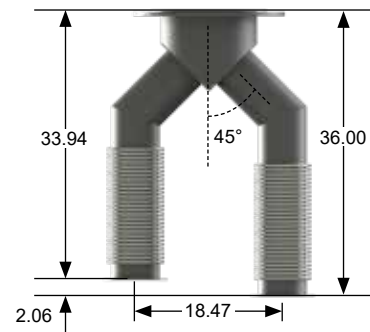


### Cummins QSK 50 (6" Cummins Flanged Inlets)

Part Number	Gen Set Model	Size	WT
M-13-3201	DQGAA 1250	6 X 6 X 12	72
M-13-3202	DQGAB 1250	6 X 6 X 14	78
M-13-3204*	DQGAB 1500	8 X 8 X 14	91

Floating Cummins flanged inlets. Floating ANSI flanged outlet.

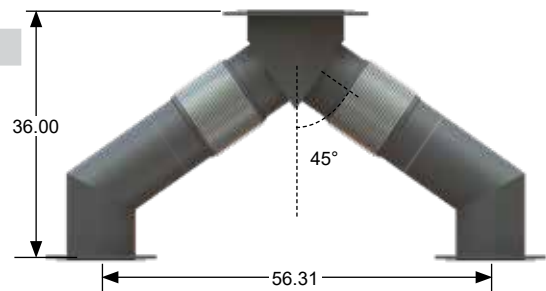
\*OAL is 42



### Cummins QSK 60

Part Number	Gen Set Model	Size	WT
M-13-3301	DQKAA 1750	10 X 10 X 14	157
M-13-3302	DQKAA 1750 & DQKAB 2000	10 X 10 X 16	162
M-13-3304	DQKAB 2000 & DQKH 2250	10 X 10 X 18	163
M-13-3305	DQKAB 2000 & DQKH 2250	10 X 10 X 20	176

Floating ANSI flanged inlets and outlet, unless otherwise noted.



- All dimensions are in inches.
- Other sizes available, call for details.
- All ANSI flanges may be replaced with a standard Caterpillar, Cummins, or MTU engine flanges.
- Bellows are 321 stainless steel. End connections are carbon steel.
- Connections available in stainless steel.
- Bellows flow liners are recommended for exhaust 6" and below when gas/stream flow conditions are greater than or equal to 4 ft/second/inch of diameter and for exhaust 8" and above when gas/stream flow conditions are greater than or equal to 25 ft/second.

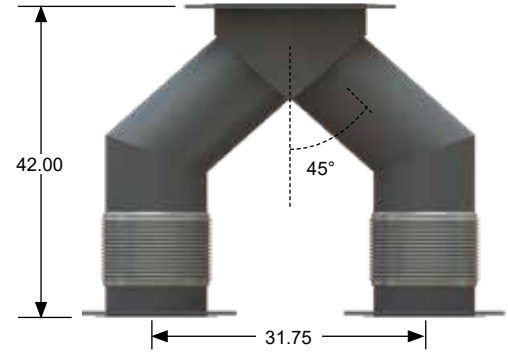
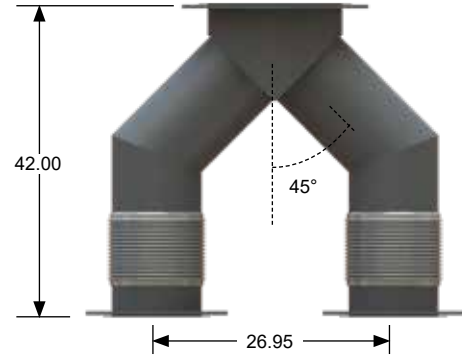
# M-13 WYES

## Cummins Engine Wyes

### Cummins QSK 78

Part Number	Gen Set Model	Size	Spread	WT
M-13-10839	DQLA 2700 & DQLE 2500	12 X 12 X 18	26.95	187
M-13-10840	DQLA 2700 & DQLE 2500	12 X 12 X 20	26.95	203
M-13-10841	DQLA 2700 & DQLE 2500	12 X 12 X 22	26.95	212
M-13-10842	DQLA 2700 & DQLE 2500	12 X 12 X 24	26.95	226
M-13-3401*	DQLA 2700 & DQLE 2500	12 X 12 X 18	31.75	187
M-13-3402*	DQLA 2700 & DQLE 2500	12 X 12 X 20	31.75	203
M-13-3403*	DQLA 2700 & DQLE 2500	12 X 12 X 22	31.75	212
M-13-3404*	DQLA 2700 & DQLE 2500	12 X 12 X 24	31.75	226

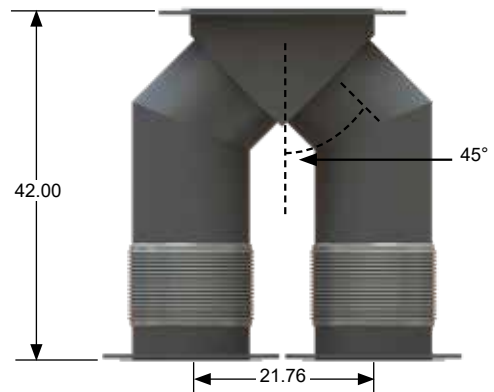
Floating ANSI flanged inlets and outlet, unless otherwise noted.  
 \*Cummins QSK 78 LEGACY 31.75" spread. Double check engine spread prior to ordering. Consult factory when in doubt.



### Cummins QSK 95

Part Number	Gen Set Model	Size	WT
M-13-3406	QSK95-69-3000	14 X 14 X 20	208
M-13-3405	QSK95-69-3000	14 X 14 X 22	250

Floating ANSI flanged inlets and outlet, unless otherwise noted.  
 Single ply bellows in place of corrugated stainless steel flex



PLEASE ENSURE FIT AND FUNCTION FOR WYE BEFORE ORDERING.

- All dimensions are in inches. All weights are in pounds. Weights are approximate.
- Other sizes available, call for details.
- All ANSI flanges may be replaced with a standard Caterpillar, Cummins, or MTU engine flanges.
- Wyes are carbon steel construction with 321 stainless steel corrugated flex hose, unless noted.
- Connections available in stainless steel.
- Double check engine spread prior to ordering. Consult factory when in doubt.



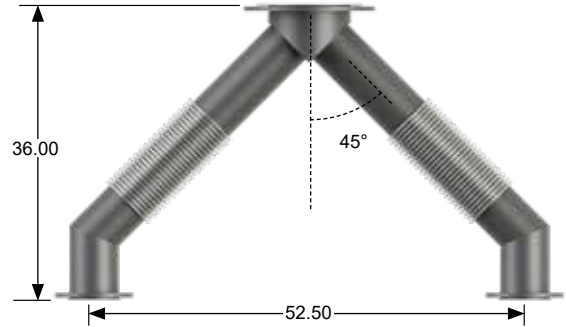
# M-14 WYES

## MTU Engine Wyes

### MTU 2000 Series (650-1000 DSEC, 12V-2000 & 16V-2000)

Part Number	kW	Size	WT
M-14-3131	650 & 750	6 X 6 X 10	70
M-14-3133	900 & 1000	6 X 6 X 12	82

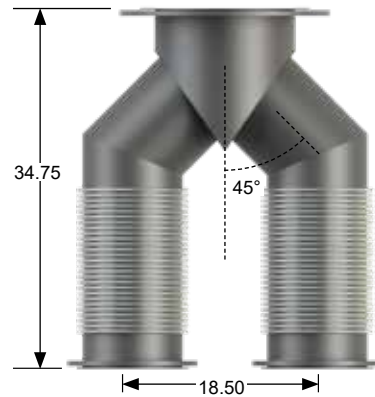
Floating 6" MTU flanged inlets. Floating ANSI flanged outlet.



### MTU 4000 Series (12V-4000)

Part Number	kW	Size	WT
M-14-3211	1250, 1350, 1500, & 1750	10 X 10 X 14	118
M-14-3212	1250, 1350, 1500, & 1750	10 X 10 X 16	127

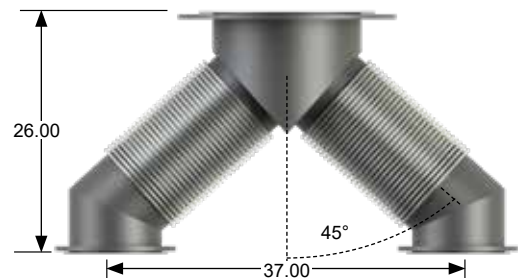
Floating 6" MTU flanged inlets. Floating ANSI flanged outlet.



### MTU 4000 Series (16V-4000)

Part Number	kW	Size	WT
M-14-3213	2000	10 X 10 X 16	117
M-14-3214	2000	10 X 10 X 18	118

Floating 6" MTU flanged inlets. Floating ANSI flanged outlet.



PLEASE ENSURE FIT AND FUNCTION FOR WYE BEFORE ORDERING.

- All dimensions are in inches. All weights are in pounds. Weights are approximate.
- Other sizes available, call for details.
- All ANSI flanges may be replaced with a standard Caterpillar, Cummins, or MTU engine flanges.
- Wyes are carbon steel construction with 321 stainless steel corrugated flex hose, unless noted.
- Connections available in stainless steel.

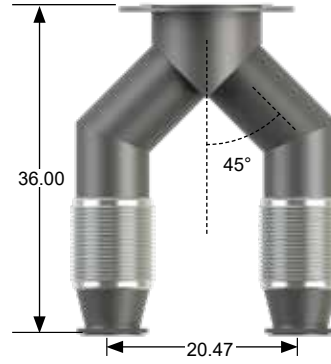
# M-15 WYES

## Caterpillar Engine Wyes

### Caterpillar 3508 B (6" CAT Flanged Inlets)

Part Number	kW	Size	WT
M-15-3501	910	8 X 8 X 12	90

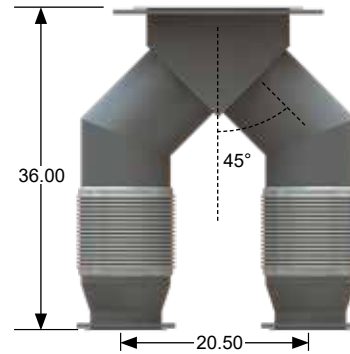
Floating CAT flanged inlets and floating ANSI flanged outlet, unless otherwise noted.



### Caterpillar 3512 C (8" CAT Flanged Inlets)

Part Number	kW	Size	WT
M-15-3512	1275, 1360 & 1400	8 X 8 X 14	102
M-15-3514	1360 & 1400	8 X 8 X 16	113
M-15-3517	1500	10 X 10 X 14	117
M-15-3518	1500	10 X 10 X 16	126

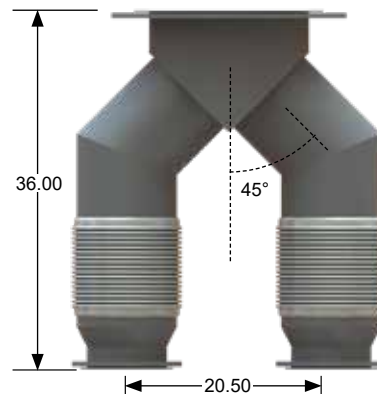
Floating CAT flanged inlets and floating ANSI flanged outlet, unless otherwise noted.



### Caterpillar 3516 C (8" CAT Flanged Inlets)

Part Number	kW	Size	WT
M-15-3551	1640, 1825 & 2000	10 X 10 X 16	126
M-15-3552	1640, 1825 & 2000	10 X 10 X 18	128
M-15-3572	2000	10 X 10 X 20	136

Floating CAT flanged inlets and floating ANSI flanged outlet, unless otherwise noted.



PLEASE ENSURE FIT AND FUNCTION FOR WYE BEFORE ORDERING.

- All dimensions are in inches. All weights are in pounds. Weights are approximate.
- Other sizes available, call for details.
- All ANSI flanges may be replaced with a standard Caterpillar, Cummins, or MTU engine flanges.
- Wyes are carbon steel construction with 321 stainless steel corrugated flex hose, unless noted.
- Connections available in stainless steel.