

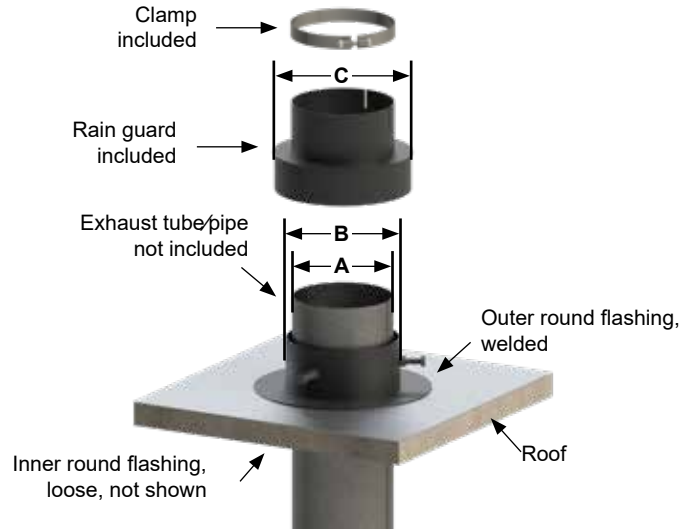
# M-21 ROOF JACKS

## Roofs Jacks

### Rainguards (Cuffed)

Part Number	A	B	C
M-21-C-400	4	5	7
M-21-C-450	4.5	5.5	7.5
M-21-C-500	5	6	8
M-21-C-556	5.56	6.5	8.5
M-21-C-600	6	7	9
M-21-C-663	6.63	7.8	10
M-21-C-800	8	9	11
M-21-C-863	8.63	9.8	12
M-21-C-1000	10	11	13
M-21-C-1075	10.75	12	14
M-21-C-1200	12	13	15
M-21-C-1275	12.75	14	16

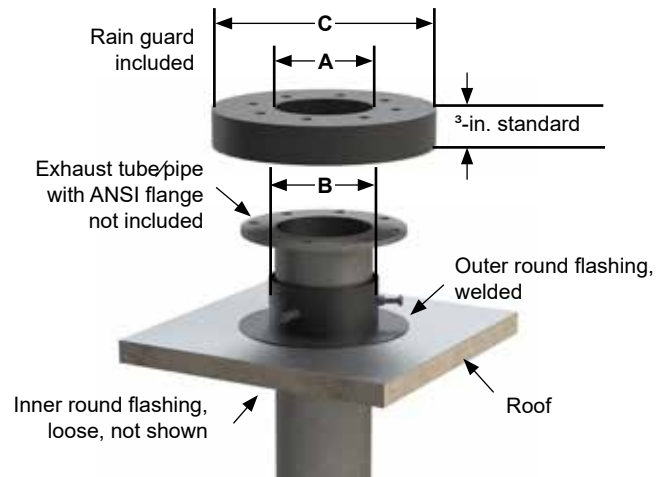
Clamp included. Roof jacks are designed for non-combustible metal enclosures only.



### Rainguards (Flanged)

Part Number	A	B	C
M-21-F-400	4	5	15
M-21-F-450	4.5	5.5	15
M-21-F-500	5	6	15
M-21-F-556	5.56	6.5	15
M-21-F-600	6	7	15
M-21-F-663	6.63	7.8	15
M-21-F-800	8	9	18
M-21-F-863	8.63	9.8	18
M-21-F-1000	10	11	20
M-21-F-1075	10.75	12	20
M-21-F-1200	12	13	24
M-21-F-1275	12.75	14	24

Roof jacks are designed for non-combustible metal enclosures only.



### CAUTION

- Roof jacks are designed for non-combustible metal enclosures only.
- Avoid potential fire hazard. Product should never be exposed to combustible material. DO NOT USE if combustible materials are present.
- Refer to Wall and Roof Thimbles for applications where combustible materials will come in contact with the product.

- All dimensions are in inches.
- Other sizes available, call for details.
- Available in stainless steel.