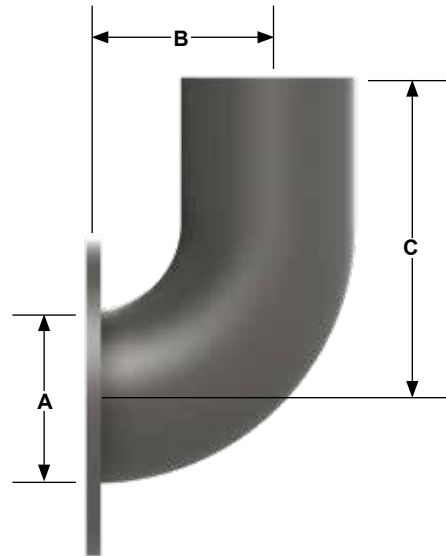


# M-23 to M-24 ELBOWS

## Elbows

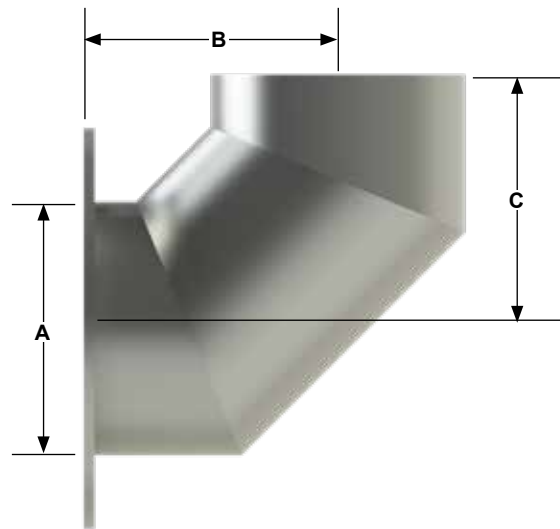
### 90° Tube Elbow (Short Radius), Flanged One End

Part Number	A	B	C	WT
M-23-400	4	4.38	7.5	9
M-23-500	5	5.25	9	11
M-23-600	6	6.25	11	14
M-23-800	8	8	12	26
M-23-1000	10	10	14	-
M-23-1200	12	12	16	-



### 90° Mitered Elbow (Short Radius), Flanged One End

Part Number	A	B	C	WT
M-24-800	8	8	8	22
M-24-1000	10	10	10	31
M-24-1200	12	12	12	45
M-24-1400	14	14	14	55
M-24-1600	16	16	16	81
M-24-1800	18	18	18	94
M-24-2000	20	20	20	114
M-24-2200	22	22	22	133
M-24-2400	24	24	24	158
M-24-2600	26	26	26	183
M-24-2800	28	28	28	208
M-24-3000	30	30	30	387



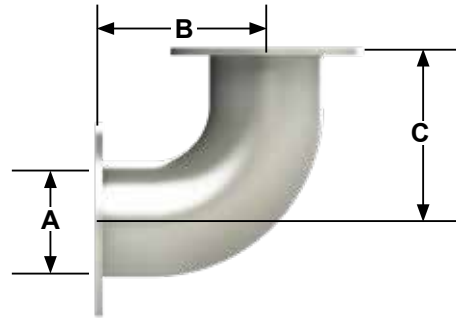
- All dimensions are in inches. All weights are in pounds. Weights are approximate.
- Other sizes available, call for details.
- Available in stainless steel.
- Connection(s) are ANSI steel plate flanges unless otherwise specified.

# M-26 90° ELBOWS

## 90° Elbows

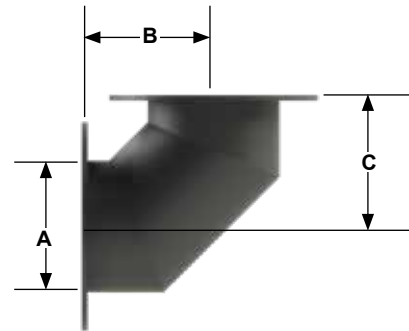
### 90° Elbow (Short Radius), Tube, Flanged Both Ends

Part Number	A	B	C	WT
M-26-400	4	7.5	7.5	16
M-26-500	5	9	9	20
M-26-600	6	11	11	24
M-26-800	8	12	12	39
M-26-1000	10	14	14	53
M-26-1200	12	16	16	75



### 90° Elbow (Short Radius), Mitered, Flanged Both Ends

Part Number	A	B	C	WT
M-26-M-800	8	8	8	34
M-26-M-1000	10	10	10	47
M-26-M-1200	12	12	12	67
M-26-M-1400	14	14	14	80
M-26-M-1600	16	16	16	111
M-26-M-1800	18	18	18	124
M-26-M-2000	20	20	20	150
M-26-M-2200	22	22	22	171
M-26-M-2400	24	24	24	203
M-26-M-2600	26	26	26	232
M-26-M-2800	28	28	28	262
M-26-M-3000	30	30	30	447



- All dimensions are in inches. All weights are in pounds. Weights are approximate.
- Other sizes available, call for details.
- Available in stainless steel.
- Connection(s) are ANSI steel plate flanges unless otherwise specified.