

ATMOSPHERIC VENT SILENCER

35 to 40 dBA Noise Reduction

OVERVIEW

The VT1 is good for vent silencing of high frequency noise associated with steam or gas vents. The VT1 has a very high performance to cost ratio. Installation of the VT1 on a high pressure safety valve discharge will satisfy most concerns regarding worker safety or OSHA noise compliance. The VT series can be engineered and designed to your specific project or end user requirements and specifications.

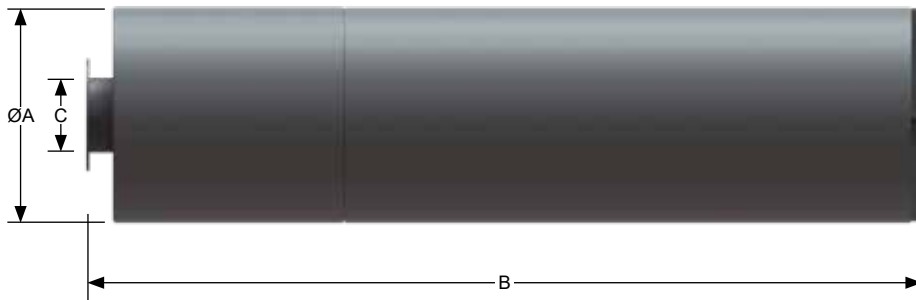
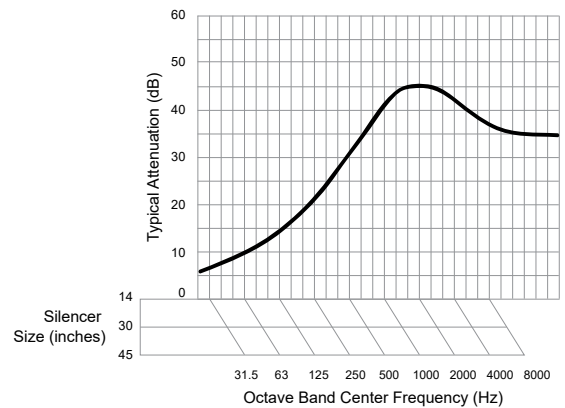
Typical Applications: Process vents, safety and relief valve discharge, small process vents, as well as compressor and gas transmission line blowdown

FEATURES

- Advanced acoustical design
- Heavy duty, all welded construction and long service life
- Long strand fiberglass acoustical packing
- Flanged inlet nozzle with diffuser
- High heat silicone black or aluminum finish
- NPT drain coupling
- Custom sizes available

OPTIONS / ACCESSORIES

- AMSE Section VIII, Div. 1 code diffuser
- Side inlet connection
- Multiple flanges and classes available
- Multiple inlets
- Horizontal or vertical support arrangements
- Stainless steel construction
- Custom surface prep and coating
- Weatherhood and birdscreen
- Metallic wool packing available
- Complete range of complimentary accessories



VT1					VT1				
Part No.*	Size / ØA	B	C	Est Wt	Part No.*	Size / ØA	B	C	Est Wt
VT1-14	14	44	4	175	VT1-72	72	114	18	4700
VT1-18	18	53	6	265	VT1-78	78	115	18	5300
VT1-22	22	63	6	465	VT1-86	86	116	20	6250
VT1-26	26	71	8	575	VT1-96	96	115	20	7550
VT1-30	30	83	10	945	VT1-104	104	132	24	9400
VT1-36	36	99	12	1415	VT1-112	112	134	24	10350
VT1-40	40	110	14	1840	VT1-120	120	133	24	11350
VT1-45	45	127	16	2525	VT1-128	128	149	24	13950
VT1-54	54	112	16	3200	VT1-136	136	150	24	1550
VT1-64	64	113	16	4050	VT1-144	144	151	24	16400

• All dimensions are in inches. All weights are in pounds. Weights are approximate.
 • Listed sound data is based on typical performance and should not be considered absolute.
 • *See nomenclature guide for additional information on part number creation.



ATMOSPHERIC VENT SILENCER

42 to 45 dBA Noise Reduction

OVERVIEW

The VT2 is better for vent silencing of high frequency noise associated with steam or gas vents. The VT2 is shorter and more economical than the VT3. The VT series can be engineered and designed to your specific project or end user requirements and specifications.

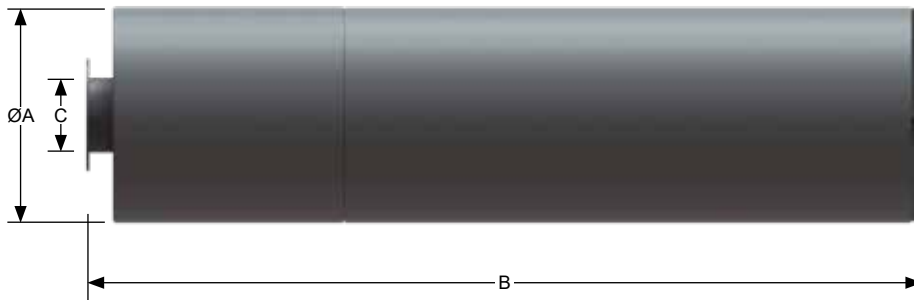
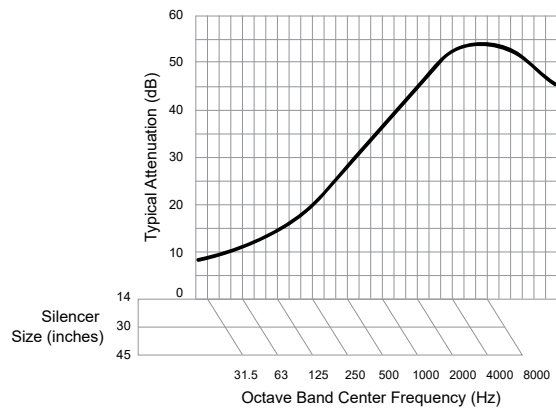
Typical Applications: Process vents, safety and relief valve discharge, small process vents, as well as compressor and gas transmission line blowdown

FEATURES

- Advanced acoustical design
- Heavy duty, all welded construction and long service life
- Long strand fiberglass acoustical packing
- Flanged inlet nozzle with diffuser
- High heat silicone black or aluminum finish
- NPT drain coupling
- Custom sizes available

OPTIONS / ACCESSORIES

- AMSE Section VIII, Div. 1 code diffuser
- Side inlet connection
- Multiple flanges and classes available
- Multiple inlets
- Horizontal or vertical support arrangements
- Stainless steel construction
- Custom surface prep and coating
- Weatherhood and birdscreen
- Metallic wool packing available
- Complete range of complimentary accessories



VT2					VT2				
Part No.*	Size / ØA	B	C	Est Wt	Part No.*	Size / ØA	B	C	Est Wt
VT2-14	14	62	4	260	VT2-72	72	150	18	6400
VT2-18	18	71	6	345	VT2-78	78	151	18	7250
VT2-22	22	87	6	480	VT2-86	86	152	20	8450
VT2-26	26	101	8	985	VT2-96	96	151	20	10300
VT2-30	30	119	10	1380	VT2-104	104	168	24	12550
VT2-36	36	141	12	1835	VT2-112	112	170	24	13900
VT2-40	40	159	14	2665	VT2-120	120	169	24	15350
VT2-45	45	175	16	3380	VT2-128	128	185	24	18450
VT2-54	54	148	16	4250	VT2-136	136	186	24	20200
VT2-64	64	149	16	5450	VT2-144	144	187	24	21950

• All dimensions are in inches. All weights are in pounds. Weights are approximate.
 • Listed sound data is based on typical performance and should not be considered absolute.
 • *See nomenclature guide for additional information on part number creation.



ABSORPTIVE VENT AND BLOWDOWN SILENCER

50 to 55 dBA Noise Reduction

OVERVIEW

The VT3 is the best silencing option for high frequency noise associated with venting pressurized gas to the atmosphere. The VT3 provides the maximum noise reduction that can be practically obtained. The VT series can be engineered and designed to your specific project or end user requirements and specifications.

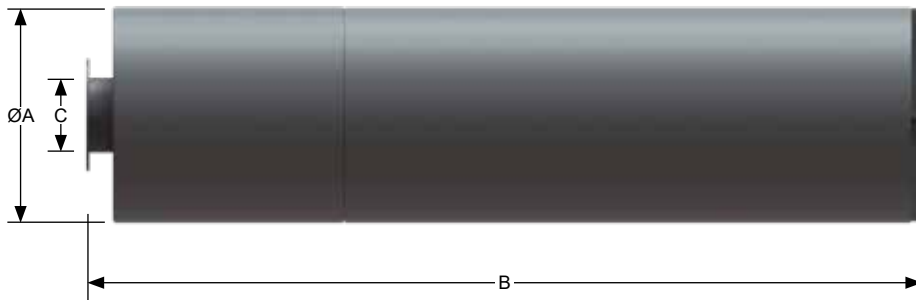
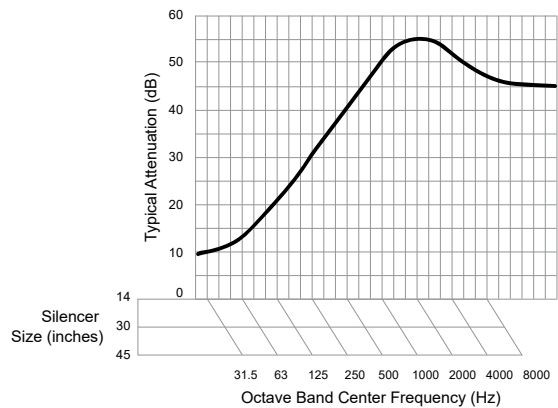
Typical Applications: Process plants for gas, fluids and steam, Safety and relief valve discharge, Compressor and gas transmission line blowdown plus Pipeline and petrochemical industries

FEATURES

- Advanced acoustical design
- Heavy duty, all welded construction and long service life
- Long strand fiberglass acoustical packing
- Flanged inlet nozzle with diffuser
- High heat silicone black or aluminum finish
- NPT drain coupling
- Custom sizes available

OPTIONS / ACCESSORIES

- AMSE Section VIII, Div. 1 code diffuser
- Side inlet connection
- Multiple flanges and classes available
- Multiple inlets
- Horizontal or vertical support arrangements
- Stainless steel construction
- Custom surface prep and coating
- Weatherhood and birdscreen
- Metallic wool packing available
- Complete range of complimentary accessories



VT3					VT3				
Part No.*	Size / ØA	B	C	Est Wt	Part No.*	Size / ØA	B	C	Est Wt
VT3-14	14	80	4	315	VT3-72	72	186	18	7900
VT3-18	18	95	6	458	VT3-78	78	187	18	9000
VT3-22	22	123	6	732	VT3-86	86	188	20	10600
VT3-26	26	137	8	1034	VT3-96	96	187	20	12750
VT3-30	30	161	10	1768	VT3-104	104	204	24	15350
VT3-36	36	190	12	2656	VT3-112	112	206	24	17050
VT3-40	40	213	14	3467	VT3-120	120	205	24	18950
VT3-45	45	241	16	4487	VT3-128	128	221	24	22550
VT3-54	54	185	16	5250	VT3-136	136	222	24	24700
VT3-64	64	185	16	6700	VT3-144	144	223	24	26900

• All dimensions are in inches. All weights are in pounds. Weights are approximate.
 • Listed sound data is based on typical performance and should not be considered absolute.
 • *See nomenclature guide for additional information on part number creation.



ATMOSPHERIC VENT SILENCER

35 to 40 dBA Noise Reduction

VTS OVERVIEW

For relatively small vent applications, the VTS offers impressive silencing of the noise associated with steam or gas vents. The VTS has a very high performance to cost ratio.

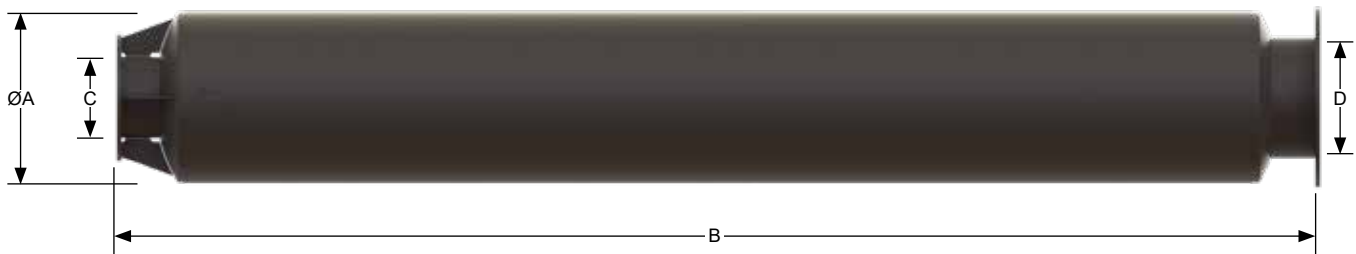
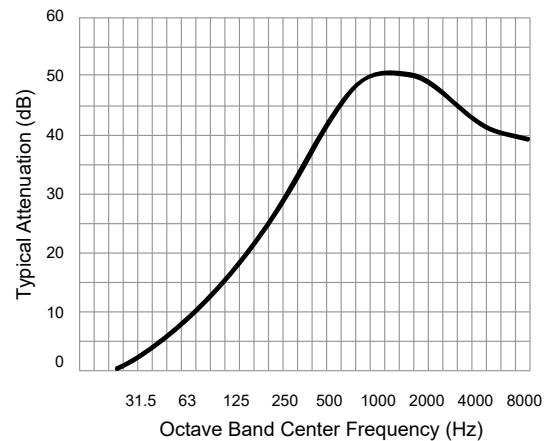
Typical Applications: Steam ejectors, small steam or gas vents, small process vents, turbine and compressor bypass as well as small safety and relief valves

FEATURES

- Advanced acoustical design
- Heavy duty, all welded construction and long service life
- Long strand fiberglass acoustical packing
- Flanged inlet nozzle with conical diffuser and flanged outlet
- High heat silicone black or aluminum finish
- Custom sizes available

OPTIONS / ACCESSORIES

- AMSE Section VIII, Div. 1 code diffuser
- Multiple flanges and classes available
- Multiple inlet options
- Horizontal or vertical support arrangements
- Stainless steel construction
- Custom surface prep and coatings available
- Weatherhood and birdscreen
- Metallic wool packing available
- Complete range of complimentary accessories



VTS						
Part No.*	Size	ØA	B	C	D	Est Wt
VTS-5	5	12	66	2	5	98
VTS-6	6	12	78	3	6	112
VTS-8	8	14	86	4	8	152
VTS-10	10	16	106	6	10	250
VTS-12	12	18	127	8	12	340

- All dimensions are in inches. All weights are in pounds. Weights are approximate.
- Listed sound data is based on typical performance and should not be considered absolute.
- *See nomenclature guide for additional information on part number creation.