

Excellent Chamber Type Spark Arresting: Expected Attenuation is 24 to 28 dBA

Use a model MSA3 for quiet residential areas where background noise is relatively low and "critical" grade silencing with a spark arresting feature is required.

Example: For truly quiet residential areas where ambient noise levels are very low and the sound of birds singing and the soft hum of air conditioning units may be the noticeable noise features.

OVERVIEW

TYPICAL APPLICATIONS

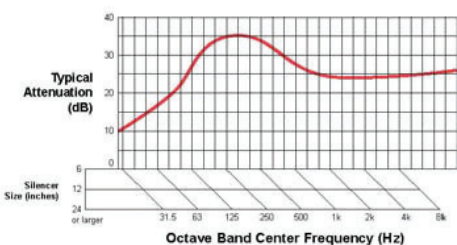
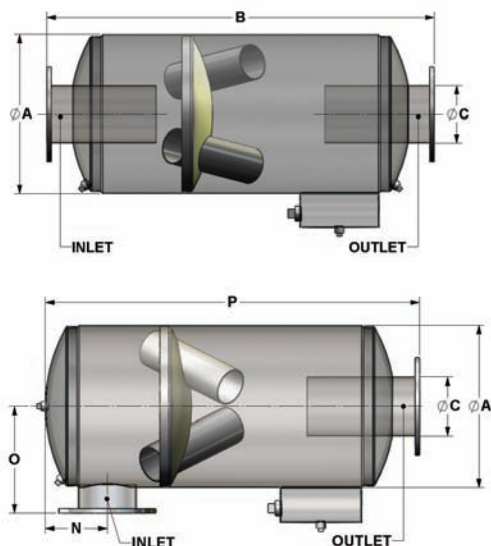
- Internal combustion engine exhausts
- High efficiency spark arresting requirements

FEATURES

- Advanced acoustical design
- Heavy duty, all welded construction and long service life
- Easily installed in any position
- Prime coated exterior finish
- Efficient spark arresting

OPTIONAL ACCESSORIES

- Explosion relief cover
- Flexible connectors
- Companion flanges
- Cleanout openings
- Side inlet(s)
- Horizontal or vertical support arrangements
- Special paint
- Stainless steel construction



Size	A	B	C	N		O	P	Est. Wt.
				Min.	Max.			
4"	16	54	4	6 1/2	25	11	51 1/8	120
5"	18	64	5	6	31	12	61 3/16	170
6"	22	72	6	8	35	14	69 1/8	255
8"	26	85	8	9 1/2	41 1/2	16	82 3/8	390
10"	30	103	10	11	50	18 1/2	99 15/16	670
12"	36	118	12	13	58	21 1/2	115 1/16	1010
14"	40	117	14	16	56	23 1/2	114	1300
16"	45	134	16	18	65	26	131	1830
18"	50	152	18	20	74	29	149	2350
20"	54	175	20	21	87	31	172	2870
22"	60	185	22	23	92	34	182	3470
24"	64	208	24	25	105	36	205 1/4	4450
26"	68	228	26	26	115	38	225 1/4	5500
28"	72	253	28	28	128	40	250 1/2	6240
30"	78	262	30	30	133	43	259 1/2	7150

Note: Dimensions are in inches, weights are in pounds.