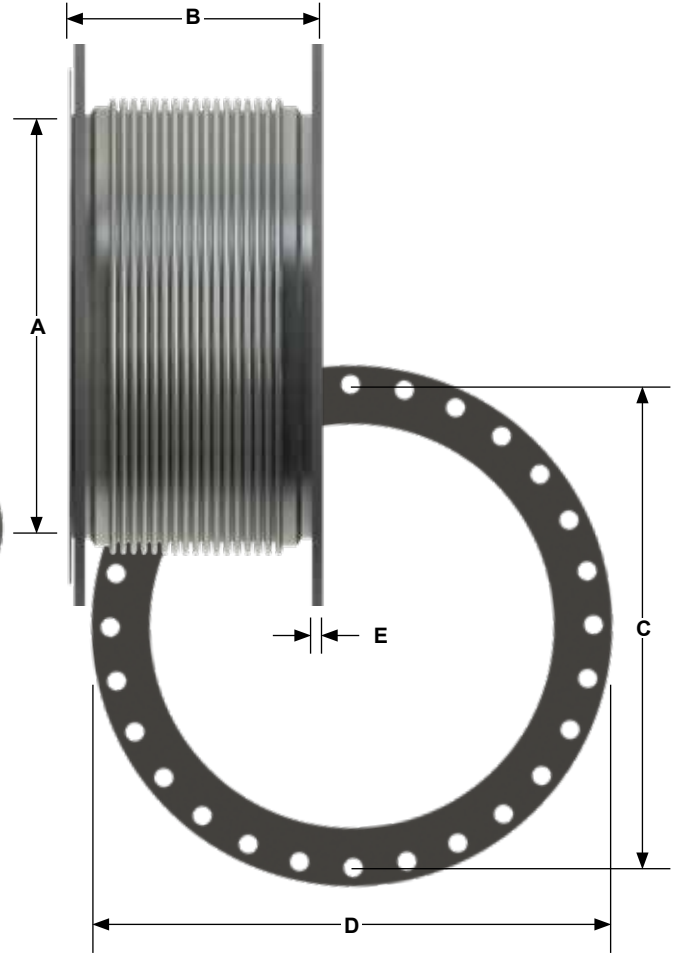
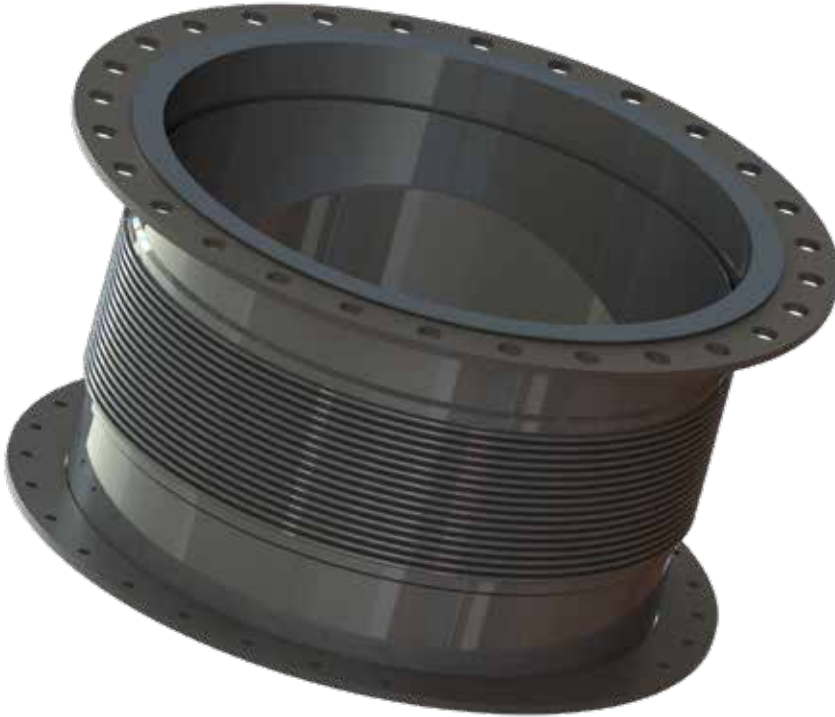


GAS TURBINE EXPANSION JOINTS / BELLOWS

GAS TURBINE EXPANSION JOINTS / BELLOWS

Gas Turbine Expansion Joints/ Bellow for Solar 40 or 50 Series.

- Bellows are constructed of 321 stainless steel.
- End connections are carbon steel.
- Connections available in stainless steel.
- Multiple other connections are available.



GAS TURBINE EXPANSION JOINTS / BELLOWS

Part No.*	A Size	B OAL	No. of Bolts	Bolt Size	C Bolt Circle	D Flange OD	E Flange Thickness
M-11-1F1-3020-L-5033	30	20	28	1.25	36	38.75	.38
M-11-1F1-3621.75-L-5491	36	21.75	32	.75	42.75	46	.38
M-11-1F1-3634.50-L-11560	36	34.50	32	.75	42.65	46	.38

All dimensions are in inches, other sizes and custom connections are available, call for details. *Part numbers listed are common used solar bellows with fixed by floating flange connections, check nomenclature guide for additional information on part number creation, or contact us for custom expansion joints/bellows.