

Silencer Specification



OVERVIEW

The MD2 is engineered to provide a residential grade attenuation while minimizing space usage. It is an excellent choice for packaged power and process skids where space is a premium. Dual inlets and other custom designs can be easily incorporated. Suitable for use where background noise is relatively high and constant. The need for higher degrees of silencing should be minimal.

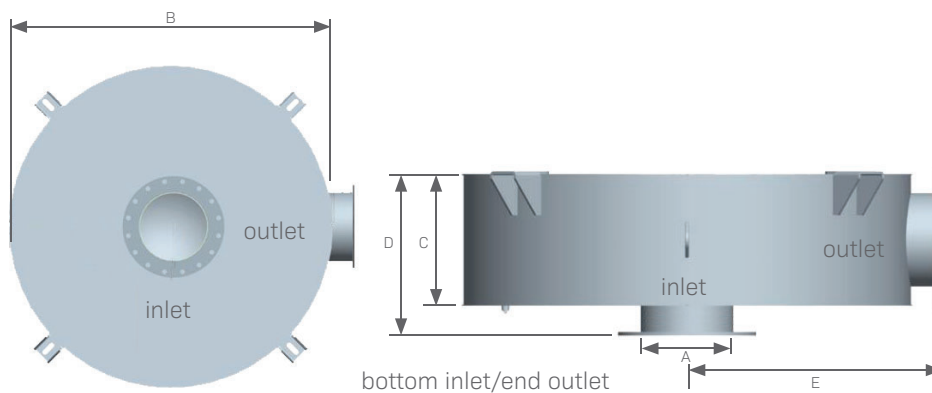
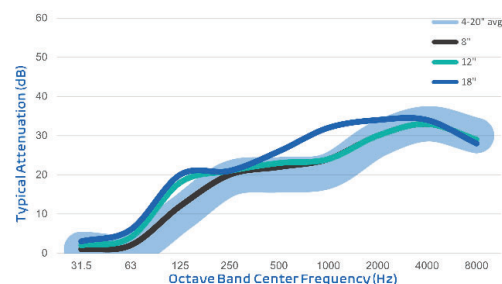
Typical Applications: Internal combustion engines, process skids, genset enclosures, as well as marine engines.

FEATURES

- Heavy duty, welded construction
- Unpacked/Non-insulated design
- ANSI drilled 125/150 lb. flanges on inlet and outlet
- High-temperature, prime coated black finish

OPTIONS / ACCESSORIES

- Stainless steel construction: 304 or 316
- Custom inlet/outlet size, location and multiple orientations available
- Support brackets
- Special paints and finishes available
- 1" to 2" internal insulation available
- Lift lugs/brackets
- Complete range of exhaust accessories



PRODUCT SPECS

Model-Size	A (size)	B (dia)	C (height)	Bottom Inlet/End Outlet		Est Wt
				D (OAL)	E	
MD2-04.0	4.0	22	7	11.0	15.0	103
MD2-05.0	5.0	24	8	12.0	16.0	119
MD2-06.0	6.0	28	9	12.5	18.0	147
MD2-08.0	8.0	33	13	17.0	20.5	242
MD2-10.0	10.0	41	13	17.0	24.5	329
MD2-12.0	12.0	45	17	21.0	26.5	464
MD2-14.0	14.0	52	18	22.0	30.0	539
MD2-16.0	16.0	59	21	25.0	33.5	716
MD2-18.0	18.0	65	23	27.0	36.5	825
MD2-20.0	20.0	74	27	31.0	41.0	985

- All dimensions are in inches. All weights are in pounds. Weights are approximate.
- Listed sound data is based on typical performance and should not be considered absolute.
- See nomenclature guide for additional information on part number creation.