

Silencer Specification



OVERVIEW

The MD4 is engineered to provide a super critical grade attenuation while minimizing space usage. It is an excellent choice for packaged power and process skids where space is a premium. Dual inlets and other custom designs can be easily incorporated. Design not only reduces surface temperature, but also radiated noise. Suitable for use where background noise is extremely low, such as residential or hospital locations away from busy streets.

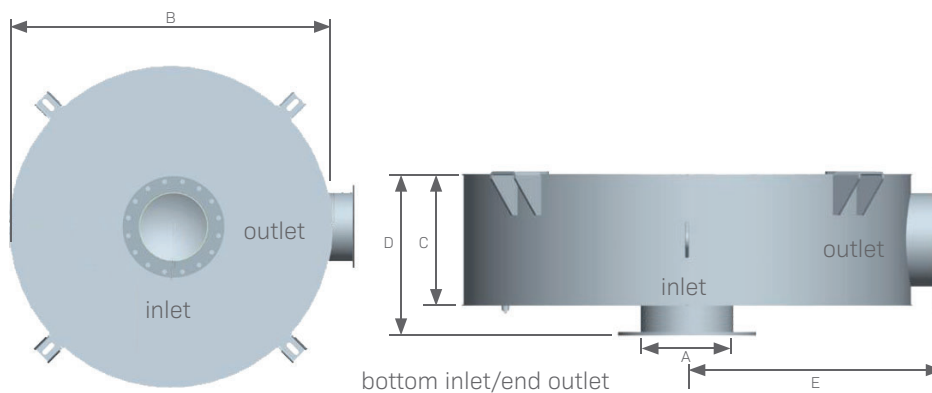
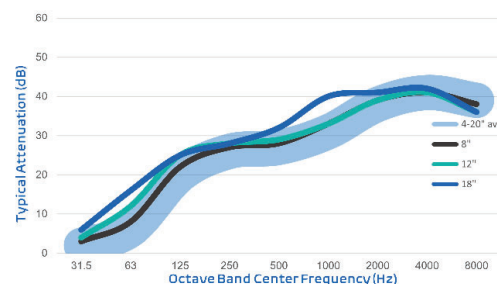
Typical Applications: Internal combustion engines, process skids, genset enclosures, as well as marine engines.

FEATURES

- Heavy duty, welded construction
- Low surface temperature design
- ANSI drilled 125/150 lb. flanges on inlet and outlet
- High-temperature, prime coated black finish
- 2" thick internal insulation within double wall construction

OPTIONS / ACCESSORIES

- Stainless steel construction: 304 or 316
- Custom inlet/outlet size, location and multiple orientations available
- Support brackets
- Special paints and finishes available
- 1" internal insulation available
- Lift lugs/brackets
- Complete range of exhaust accessories



PRODUCT SPECS

Model-Size	A (size)	B (dia)	C (height)	Bottom Inlet/End Outlet		Est Wt
				D (OAL)	E	
MD4-04.0	4.0	32	10	14.0	20.0	165
MD4-05.0	5.0	32	11	15.0	20.0	174
MD4-06.0	6.0	38	12	16.0	23.0	238
MD4-08.0	8.0	52	14	18.0	30.0	518
MD4-10.0	10.0	59	16	20.0	33.5	701
MD4-12.0	12.0	70	18	22.0	39.0	984
MD4-14.0	14.0	70	24	29.0	40.0	1,104
MD4-16.0	16.0	75	28	33.0	42.5	1,518
MD4-18.0	18.0	86	30	35.0	48.0	2,006
MD4-20.0	20.0	94	32	37.0	52.0	2,375

- All dimensions are in inches. All weights are in pounds. Weights are approximate.
- Listed sound data is based on typical performance and should not be considered absolute.
- See nomenclature guide for additional information on part number creation.